

*9. 10. 1949. S/S.  
1. Para.*

**RESTRICTED**

The information given in this document is not to be communicated, either directly or indirectly, to the Press or to any person not authorized to receive it.

**IDENTIFICATION LIST**  
**FOR**  
**GUN, MACHINE, VICKERS, .303-IN., MARK 1**  
**ON**  
**MOUNTING, TRIPOD, .303-IN., M.G., MARK 4B**  
**1949**  
**SECTION C 1**

26  
PUBS  
5861

This List supersedes List EB581 bearing CODE-MTGTRIPA and List EB 300 bearing CODE-MTGRIPMGA

**THE WAR OFFICE**  
**FEBRUARY**  
**1950**

*G. W. Tanner*

By Command of the Army Council

PREFACE (contd.)

The following abbreviations are used:-

B.A. = British Association	In. = Inch(es)
B.S. = Bright Steel	L.H. = Left Hand
B.S.F. = British Standard Fine	M.G. = Machine Gun
Contd. = Continued	Mk(s) = Mark(s)
Csk. = Countersunk	Mtg. = Mounting
Dia. = Diameter	No. = Number
D.P.S. = Drill Purpose Blank	R.H. = Right Hand
Hd. = Head	S.W.G. = Standard Wire Gauge
Hex. = Hexagon	Yds. = Yards

It is essential that the list should be kept carefully amended and the particulars recorded below.

AMMUNITION SERIAL NO.	A.C.I.	BY WHOM AMENDED	DATE OF INSERTION	AMMUNITION SERIAL NO.	A.C.I.	BY WHOM AMENDED	DATE OF INSERTION

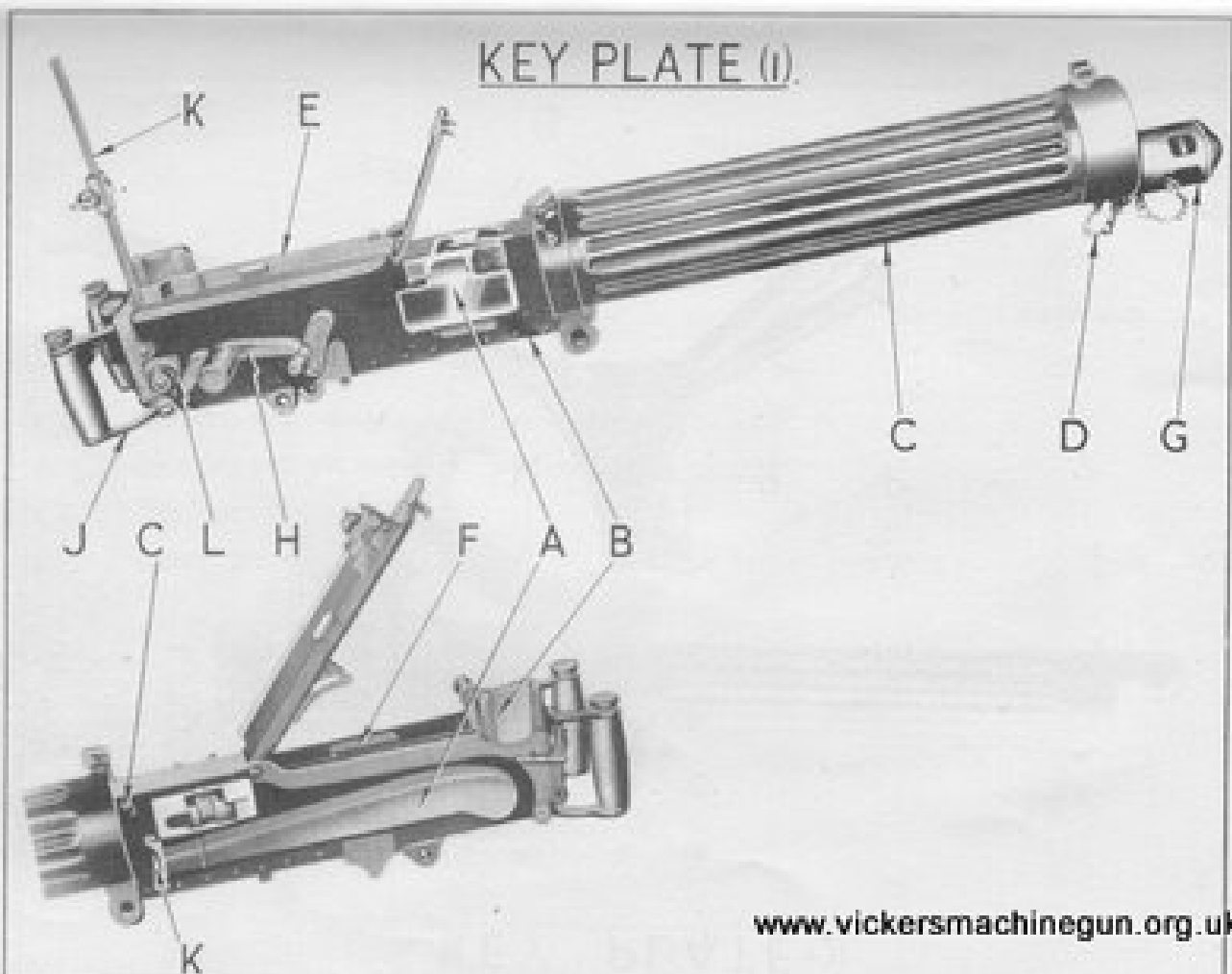
Any correspondence with reference to this list should be addressed to Chief Inspector of Armaments.

CONTENTS

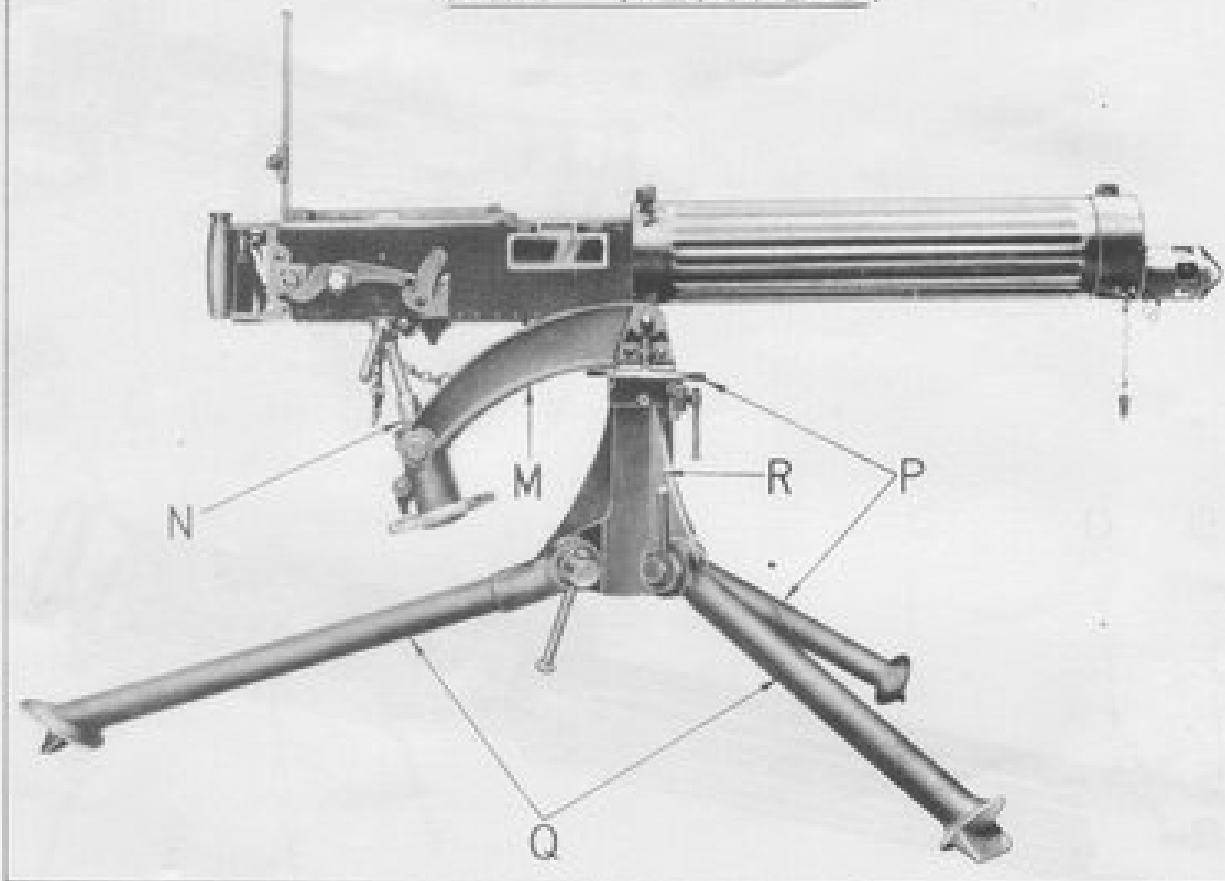
	<u>PAGE</u>
ACCESSORIES .....	21 - 31
CONTENTS OF "CASE, SPARE PARTS" AND "WALLET" .....	32
GUN, MACHINE, VICKERS, .303-IN., MK.1 -	
BARREL, MK.2 .....	1
BLOCK, FEED, R.H., MK.1 .....	1
BOX, FUSEE SPRING .....	1
CASING, BRUSH AND CASING BARREL .....	2 and 3
CATCH, FRONT COVER .....	3
CHAIN, M.G. ....	4
COVER, FRONT, MK.1 <sup>+</sup> .....	4
COVER, REAR .....	5
FUSEE, with chain .....	5
LEVER, CHECK, No.2 and 2B .....	5
LOCK, BRUSH, MK.1 .....	6
MIDDLE ATTACHMENT, BALL, MK.1 .....	7
PIN, JOINT, COVER, MK.5 .....	7
PLATES, SIDE AND CRANK .....	8
REAR CROSS-PIECE .....	9
SCREW, ADJUSTING, FUSEE SPRING .....	10
SHUTTER .....	10
SIGHT, FORE .....	10
SIGHT, TANGENT, MK.4 .....	10
SLIDES, NOS.1 AND 2 .....	11
SPRING, FUSEE, MK.1 .....	11
TUBE, STEAM, NO.1 .....	11
INDEX TO KEY PLATES .....	1r and r
INDEX TO CATALOGUE AND PART NOS. ....	33 - 40
MOUNTING, TRIPOD, .303-IN. M.G., MK.4B .....	12 - 16
SIGHT, DIAL, M.G., MKS.3 AND 4 .....	17 - 19
SIGHTS, LANSATIC AND NIGHT .....	20

INDEX TO KEY PLATE (I)

PLATE		FACING PAGE
A	BARREL, FEED BLOCK AND FUSEE SPRING BOX	1
B	DIAL SIGHT BRACKET, RESECH AND BARREL CASING	2
C	FRONT COVER CATCH, ETC.	3
D	M.G. CHAIN AND FRONT COVER	4
E	REAR COVER AND FUSEE, ETC.	5
F	RESECH LOCK	6
G	BALL MULE ATTACHMENT	7
H	SIDE AND CRANK PLATES	8
J	REAR CROSSPIECE	9
K	FUSEE SPRING ADJUSTING SCREW AND TANGENT SIGHT	10
L	SLIDES AND STEAM TUBE	11



# KEY PLATE (2).



- 7 -

## INDEX TO KEY PLATE (2)

PLATE		FACING PAGE
M	"B" CROSSHEAD . . . . .	12
N	ELEVATING GEAR ETC. . . . .	13
P	DIRECTION DIAL AND LEGS ETC. . . . .	14
Q	LEGS, ETC. . . . .	15
R	SOCKET, ETC. . . . .	16

PLATE REF. NO	DESIGNATION	V.A.O.S. SECT. & PART OR CAT. NO	NO OF	DRAWING NO
1	GUN, MACHINE, VICKERS, .303-IN., MK.1	C1/BD 0600	1	HD(E)790
2	BARREL, MK.2	C1/BD 0604	1	MGD 5
3	BLOCK, FEED, R.H. MK.1	C1/BD 0620	1	MDA 224
4	NOSE	C1/BD 7653	1	MGD 6
5	GUIDE, cartridge and stop	C1/GA 0440	1	MGD 51
6	LEVER, bottom	C1/BD 0740	1	MGD 61
7	LEVER, top	C1/BD 0753	1	MGD 67
8	PANEL, BOTTOM	C1/BD 0795	1	MDA 3808
9	PANEL, bottom, front	C1/BD 7901	1	MGD 77
10	PANEL, bottom, rear	C1/BD 7902	1	MGD 78
11	PLATE, connecting	C1/BD 7967	1	MGD 120
12	RIVET, plate connecting	C1/GA 0441	4	MGD 149
13	PIN, axis, bottom pawl	C1/BD 0805	1	MGD 83
14	PIN, split, lever	C1/BD 0835	1	MGD 108
15	RIVET, cartridge, guide and stop	C1/GA 0442	1	MGD 142
16	RIVET, cartridge, guide, top	C1/GA 0443	2	MGD 157
17	RIVET, cartridge, guide, bottom	C1/GA 0443	2	MGD 157
18	RIVET, strip	C1/GA 0445	3	MGD 156
19	SLIDE, FEED BLOCK, MK.1a	C1/BD 0930	1	MDA 3809
20	PANEL, top front	C1/BD 0797	1	MGD 80
21	PANEL, top rear	C1/BD 0799	1	MGD 81
22	PIN, axis, top pawls	C1/BD 0806	1	MGD 88
23	SLIDE, MK.1a	C1/GA 0446	1	MGD 180
24	SPRING, top pawls, No.1	C1/BD 0959	1	MGD 198
25	SPRING, bottom pawls	C1/BD 0940	1	MGD 185
26	STRIP	C1/GA 0447	1	MGD 205
27	BOX, FUSEE SPRING	C1/BD 0624	1	MDA 3810
28	NOSE, MK.1	C1/GA 0448	1	MGD 9
29	FRONT PORTION	C1/BD 7789	1	MGD 45
30	REAR LUG	C1/GA 0449	1	MGD 133
31	RIVET, front	C1/GA 0450	4	MGD 144
32	RIVET, rear	C1/GA 0451	3	MGD 150

Plate A

BARREL, FEED BLOCK & FUSEE SPRING BOX.

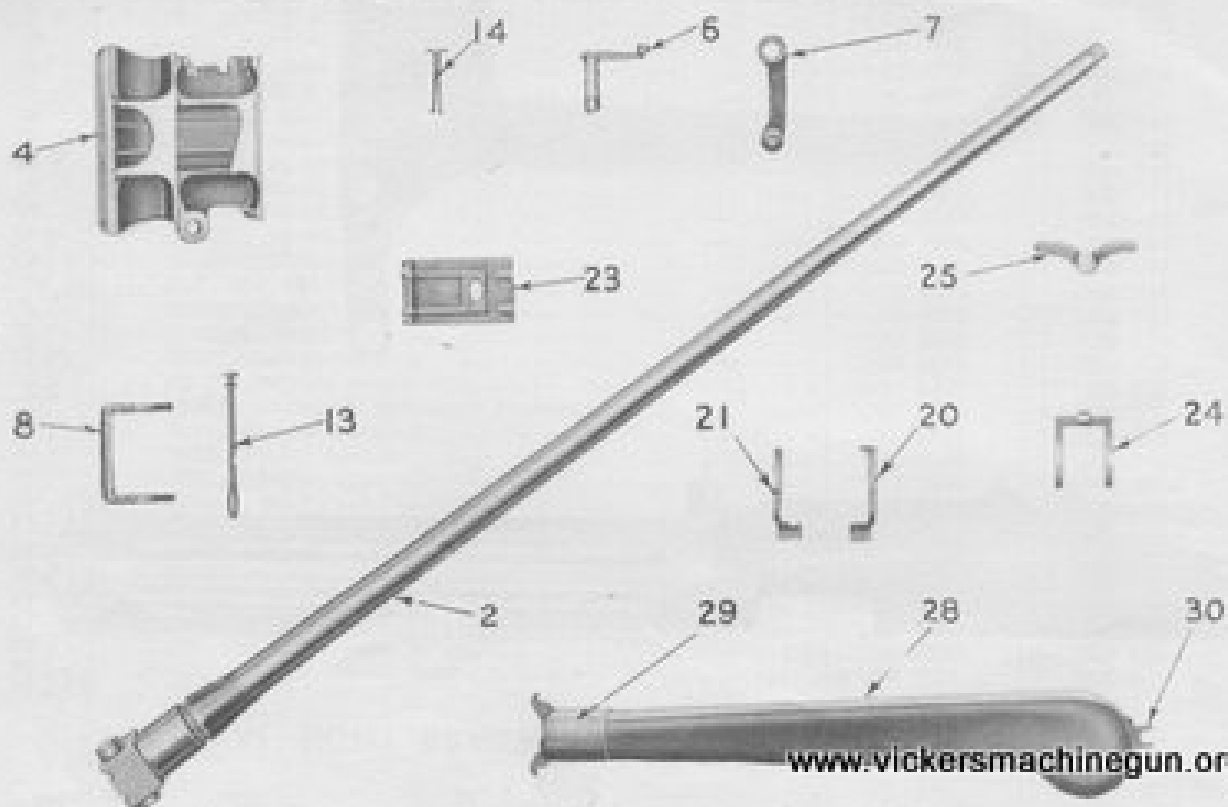
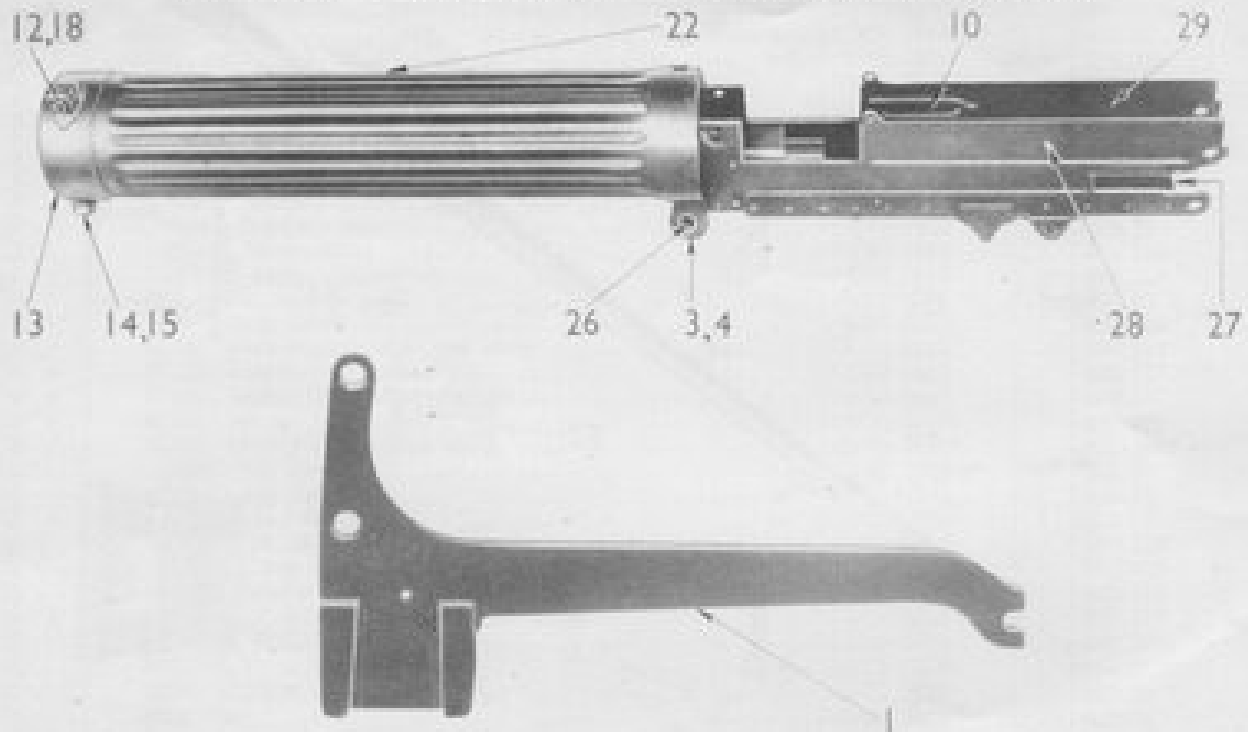


Plate B

DIAL SIGHT BRACKET, BREECH & BARREL CASING



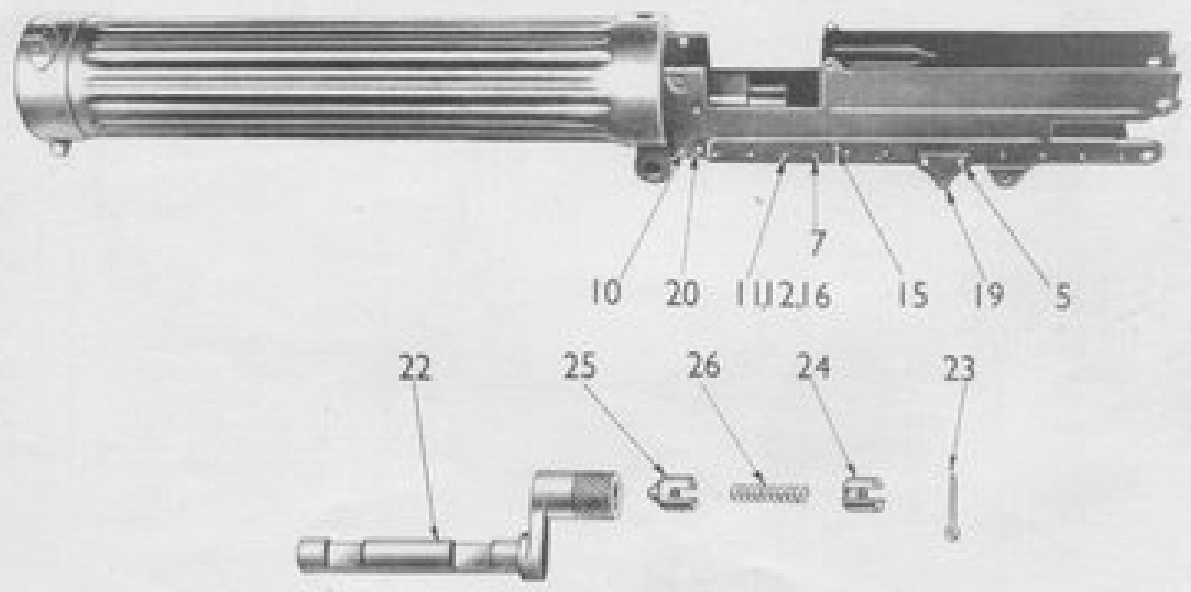
- 2 -

PLATE REF. NO.	DESIGNATION	M.A.O.S. SECT. & PART OR CAT. NO.	NO. OFF.	DRAWING NO.
3	GUN, MACHINE, VICKERS, .303-IN., MK.1 (contd.)			
1	BRACKET, sight, dial, Mk.2	01/SD 4370	1	MEG 460
2	CASING, BREECH AND CASING BARREL	01/OA 0452	1	MEA 226
3	BLOCK, transition, Mk.1	01/SD 7664	1	MEG 13
4	STUD, screwed plug	01/SD 0972	1	MEG 208
5	BRACKET, CHECK LEVER, MK.2	01/SD 0626	1	
6	BRACKET, MK.2	01/SD 7665	1	MEG 10
7	RIVET, bracket, lower	01/SD 0884	2	MEG 136
8	RIVET, bracket, upper	01/SD 0885	2	MEG 137
9	C.M., left hand, Mk.1	01/SD 7688	1	MEG 16
10	C.M., right hand, Mk.1	01/SD 7689	1	MEG 17
11	C.A.P., END, BARREL CASING	01/OA 0904	1	MEA 3817
12	BRACKET, foresight	01/SD 7669	1	MEG 11
13	C.A.P., END, MK.1	01/SD 7690	1	MEG 18
14	CONDENSER BOSS	01/SD 7724	1	MEG 33
15	SCREW, securing	01/SD 8015	2	MEG 173
16	FRONT, barrel bearing	01/OA 0453	1	MEG 44
17	SCREW, keeper, steam tube, Mk.1	01/SD 0908	1	MEG 172
18	SCREW, securing, foresight bracket	01/SD 8014	2	MEG 174
19	STUD, screwed plug	01/SD 0972	1	MEG 208
20	TUBE, steam, escape	01/OA 0488	1	MEG 214
21	CASING, BARREL	01/OA 0454	1	MEA 3818
22	CASING, MK.1	01/SD 7691	1	MEG 20
23	RIVET, trough, front	01/OA 0443	2	MEG 157
24	RIVET, trough, rear	01/OA 0456	2	MEG 158
25	TROUGH	01/SD 8095	1	MEG 212
26	DISTANCE, bush transition block	01/OA 0457	1	MEG 42
27	PLATE, bottom, Mk.1	01/SD 7966	1	MEG 119
28	PLATE, outside breech casing L.H. Mk.1	01/SD 7970	1	MEG 122
29	PLATE, outside breech casing R.H. Mk.1	01/SD 7971	1	MEG 123

PLATE REF. NO	DESIGNATION	K.A.O.S. SECT. & PART OR CAT. NO	NO OFF	DRAWING NO
C	GUN, MACHINE, VICKERS, .303-IN., MK.1 (contd.)			
	Casing, breech and casing barrel (contd.)			
1	RIVET, cas, short ... ..	01/CAD459	3	MD 138
2	RIVET, cas, L.H., long ... ..	01/CAD458	2	MD 139
3	RIVET, cas, R.H., long ... ..	01/CAD458	5	MD 139
4	RIVET, steam tube socket ... ..	01/CAD460	3	MD 154
5	RIVET, stop, for Mk.1B tripod mounting ... ..	01/CAD462	2	MD 154A
6	RIVET, stop, front cover catch (long) ... ..	01/CAD461	1	MD 155
7	RIVET, plate bottom, cas. hd. ... ..	01/CAD464	2	MD 159
8	RIVET, plates, outside R.H. and L.H., cas. hd. ... ..	01/CAD467	2	MD 160
9	RIVET, plate bottom, snaphead, short ... ..	01/CAD465	6	MD 161
10	RIVET, plate, outside, left hand ... ..	01/CAD465	1	MD 161
11	RIVET, plate, bottom, snaphead, long ... ..	01/CAD463	6	MD 162
12	RIVET, plate, outside (R.H.S, L.H.S) ... ..	01/CAD463	8	MD 162
13	RIVET, plate, outside R.H. and L.H. long ... ..	01/CAD468	8	MD 163
14	RIVET, plate, outside L.H. short ... ..	01/CAD466	2	MD 164
15	RIVET, plate, outside R.H. and L.H. ... ..	01/BD0885	2	MD 137
16	RIVET, stop, front, cover catch ... ..	01/CAD463	1	MD 162
17	SOCKET, steam tube No.1 ... ..	01/CAD469	1	MD 184
18	STOP, front cover catch ... ..	01/CAD470	1	MD 203
19	STOP, Mk.1B tripod mounting ... ..	01/CAD471	1	MD 204
20	SPUD, fusee spring box front ... ..	01/BD8091	1	MD 206
21	CATCH, FRONT COVER, MK.1 ... ..	01/BD0637	1	MD 298
22	CATCH ... ..	01/CAD472	1	MD 23
23	PIN, keep, 1/16 x 1/2 ... ..	01B/CA13975	1	
24	PLUG ... ..	01/BD0872	1	MD 126
25	PLUNGER ... ..	01/BD0875	1	MD 128
26	SPRING ... ..	01/BD0843	1	MD 187

Plate C

FRONT COVER CATCH ETC.



M.G. CHAIN & FRONT COVER.

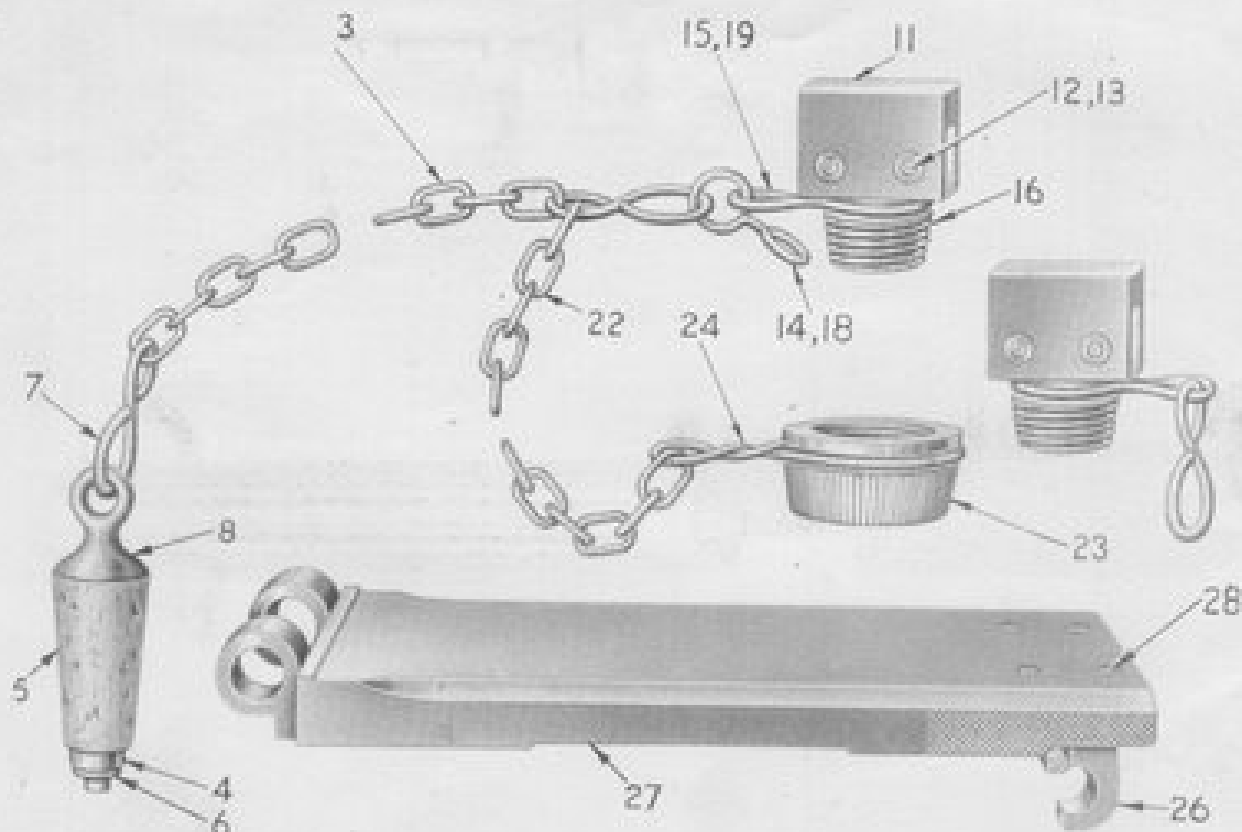


PLATE REF. NO	DESIGNATION	K.A.O.S SECT. & NO PART OR CAT. NO OFF	DRAWING NO
D	GUN, MACHINE, VICKERS .303-IN., MK.1 (contd.) -		
1 ✓	CHAIN, M.G. ... ..	01/CA 0475	1 MGA 228
2 ✓	PLUG, CORE ... ..	01/BD 0871	1
3	CHAIN, M.G. (11 links) ... ..	01/BD 0195	1 MGD 26
4	COLLAR ... ..	01/CA 0474	1 MGD 30
5	CORE ... ..	01/BD 0690	1 MGD 34
6	PIN, fixing ... ..	01/BD 0815	1 MGD 93
7	S-NECK ... ..	01/BD 2027	1 MGD 167
8	STEM ... ..	01/CA 0475	1 MGD 200
9 ✓	PLUG, SCREWED, NO.1 ... ..	01/CA 0476	1
10 ✓	HEAD, PLUG, SCREWED ... ..	01/BD 0735	1
11	HEAD ... ..	01/BD 7844	2 MGD 54
12	RIVET ... ..	01/BD 7842	2 MGD 146
13	WASHER ... ..	01/BD 7843	4 MGD 219
14	LINK ... ..	01/CA 0477	1 MGD 69A
15	LOOP ... ..	01/CA 0478	1 MGD 69
16	PLUG ... ..	01/CA 7913	2 MGD 127
	OR		
17 ✓	PLUG, SCREWED, NO.1 ... ..	01/BD 0873	1
18	LINK ... ..	01/CA 0477	1 MGD 69A
19	LOOP ... ..	01/CA 0478	1 MGD 69
20 ✓	PLUG, NO.1 (Alternative pattern) ... ..	01/BD 7913	2 MGD 127
21 ✓	PROTECTOR, CONDENSER HOSE ... ..	01/BD 0880	1
22	CHAIN, M.G. (11 links) ... ..	01/BD 0195	1 MGD 26
23	PROTECTOR ... ..	01/CA 0479	1 MGD 222
24	SWIVEL ... ..	01/CA 0480	1 MGD 223
25 ✓	COVER, FRONT, MK.1a ... ..	01/BD 0651	1
26	BRACKET, MK.1 ... ..	01/BD 7673	1 MGD 12
27	COVER, MK.1a ... ..	01/CA 0481	1 MGD 35
28	RIVET, bracket ... ..	01/CA 0462	4 MGD 154A



PLATE REF. NO.	DESIGNATION	V.A.O.S SECT. & PART OR CAT. NO.	NO OFF	DRAWING NO.
8	GUN, MACHINE, VICKERS, .303-IN., Mk.1 (Contd.)			
1 ✓	COVER, REAR ... ..	+ 01/107932	1	MGA 227
2	BAR, trigger ... ..	+ 01/100610	1	MGD 4
3	COVER, Mk.1 ... ..	01/107740	1	MGD 37
4	LOCK ... ..	+ 01/100765	1	MGD 70
5	PIN, axle tangent sight ... ..	+ 01/100007	1	MGD 87
6	PIN, lock ... ..	+ 01/100810	1	MGD 90
7	PITCH, tangent sight ... ..	+ 01/100860	1	MGD 118
8	RAMP, left ... ..	01/107995	1	MGD 130
9	RAMP, right ... ..	01/107996	1	MGD 131
10	RIVET, ramps, R.H. and L.H. ... ..	01/0A0462	4	MGD 154A
11	SPRING, lock ... ..	+ 01/100952	1	MGD 194
12	SPRING, tangent sight Mk.1 ... ..	+ 01/100958	1	MGD 197
13	SPRING, trigger bar ... ..	+ 01/100960	1	MGD 199
14 ✓	STUD, spring lock ... ..	+ 01/100973	1	MGD 209
15 ✓	FUSSE, WITH CHAIN ... ..	+ 01/100700	1	MGA 231
16	CHAIN, link No.1 ... ..	01/0A0482	1	MGD 27
17	CHAIN, link No.2 ... ..	01/0A0483	1	MGD 28
18	PIVOT ... ..	01/107001	1	MGD 46
19	PIN, fixing chain ... ..	01/0A0484	1	MGD 94
20	PIN, part of chain fussee ... ..	01/0A0485	1	MGD 102
21	RIVET ... ..	01/0A0486	1	MGD 145
22 ✓	LEVER, CHECK, NO.2 ... ..	+ 01/100764	1	
23	LEVER, NO.2 ... ..	01/107856	1	MGD 62
24	PIN, keeper ... ..	+ 01/100824	1	MGD 100
	OR			
25 ✓	LEVER, CHECK, NO.23 (axis hole small) ... ..	+ 01/100742	1	
26 ✓	LEVER, NO.23 ... ..	01/0A0487	1	MGD 62
27	PIN, keeper ... ..	+ 01/100824	1	MGD 100

REAR COVER & FUSSE ETC

Plate E

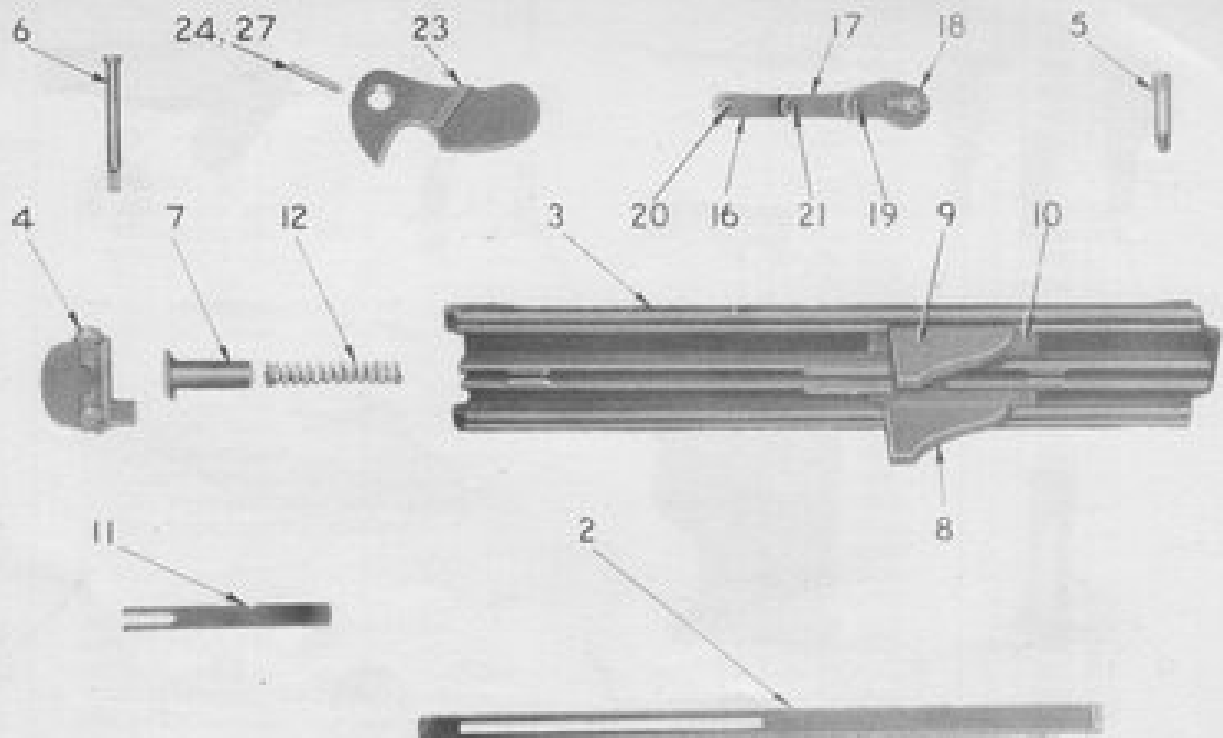


Plate F

BREECH LOCK

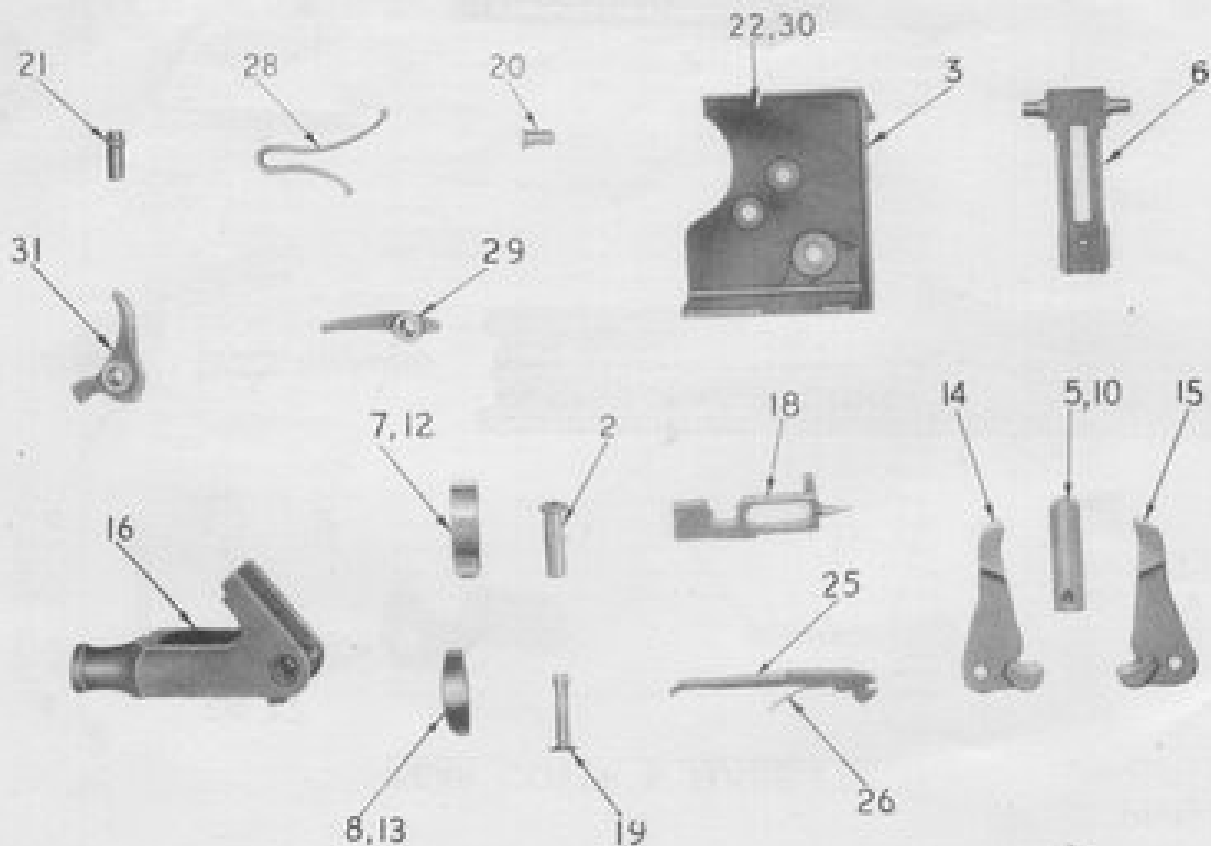


PLATE REF. NO.	DESIGNATION	V.A.O.S. SECT. & PART OR CAT. NO.	NO. OFF	DRAWING NO.
7	GUN, MACHINE, VICKERS, .303-IN., MK.1 (contd.) -			
1 ✓	LOCK, BREECH, MK.1 ... .. .	CL/BD 0760	1	MDA 229
2	BUSH, axis side lever ... .. .	CL/BD 0628	1	MGD 15
3	CASING ... .. .	CL/BD 7700	1	MGD 21
4 ✓	EXTRACTOR, MK.1, NO. 2 ... .. .	CL/BD 0631	1	MCA 3814
5	COVER, gib spring ... .. .	CL/BD 0652	1	MGD 36
6	EXTRACTOR, MK.1, NO. 2 ... .. .	CL/BD 1823	1	MGD 43
7	GIB, NO. 3 ... .. .	CL/BD 0712	1	MGD 47
8	SPRING, gib ... .. .	CL/BD 0946	1	MGD 189
9 ✓	OR			
10	EXTRACTOR, MK.2, NO. 2 ... .. .	CL/BD 0247	1	
11 ✓	COVER, gib spring ... .. .	CL/BD 0652	1	MGD 36
12 ✓	EXTRACTOR, MK.2, NO. 2 ... .. .	CL/CA 0658	1	MGD 294
13	GIB, NO. 3 ... .. .	CL/BD 0712	1	MGD 47
14	SPRING, gib ... .. .	CL/BD 0946	1	MGD 189
15	LEVER, extractor, left, No. 2 ... .. .	CL/BD 0746	1	MGD 63
16	LEVER, extractor, right, No. 2 ... .. .	CL/BD 0748	1	MGD 64
17 ✓	LEVER, side ... .. .	CL/BD 7868	1	MGD 66
18	PIN, axis sear ... .. .	CL/BD 7321	1	MGD 86
19	PIN, firing, No. 2 ... .. .	CL/BD 0813	1	MGD 92
20	PIN, split, bush, axis side levers ... .. .	CL/BD 0830	1	MGD 104
21	PIN, trigger lock ... .. .	CL/BD 0842	1	MGD 114
22	PIN, tumbler ... .. .	CL/BD 0844	1	MGD 115
23 ✓	RIVET, distance tube lock casing ... .. .	CL/CA 0489	1	MGD 143
24 ✓	RIVET, lock, spring seating ... .. .	CL/CA 0490	1	MGD 147
25	SEAR ... .. .	CL/BD 0920	1	
26	SEAR ... .. .	CL/CA 0431	1	MGD 177
27 ✓	SPRING ... .. .	CL/BD 0954	1	MGD 193
28 ✓	SEATING, lock spring ... .. .	CL/CA 0432	1	MGD 176 A
29	SPRING, lock, No. 2 ... .. .	CL/BD 0949	1	MGD 190
30	TRIGGER ... .. .	CL/BD 0963	1	MGD 211
31	TUNE, distance, lock casing ... .. .	CL/CA 0493	1	MGD 213
	TUMBLER ... .. .	CL/BD 0987	1	MGD 215

PLATE REF. NO	DESIGNATION	V.A.O.S SECT. & PART OR CAT. NO	NO OFF	DRAWING NO
G	GUN, MACHINE, VICKERS .503-IN., MK.1 (contd.) -			
1	MUZZLE, ATTACHMENT, BALL, MK.1 ... ..	C1/BD 0768	1	
2	CASING, OUTER, MUZZLE ATTACHMENT ... .. +	C1/BD 0636	1	
3	CASING, outer, MK.1 ... ..	C1/CA 0494	1	MED 22
4	PIN, SPLIT, MUZZLE ATTACHMENT ... .. +	C1/BD 0836	1	MDA 208
5	CHAIN, M.G., (8 links) ... ..	C1/BD 0195	1	MED 29
6	PIN, split ... ..	C1/CA 0495	1	MED 109
7	S-HOOK, M.G. ... .. +	C1/BD 2027	1	MED 167
8	STUD, screwed plug ... .. +	C1/BD 0972	1	MED 208
9	OR CONE, front, MK.1 ... .. +	C1/BD 0646	1	SAID 1556/D
10	CONE, front, MK.2 ... .. +	C1/BD 0647	1	MED 32
11	CUP, MK.2 ... .. +	C1/BD 0660	1	MED 39
12	DISC ... .. +	C1/BD 0680	1	MED 41
13	GLAND, NO.1, MK.1 ... .. +	C1/BD 0715	1	MED 48
14	PIN, stop, outer casing ... ..	C1/CA 0496	1	MED 112
15	PACKING, asbestos (pieces 5-yds. long) ... .. +	C1/BD 0790	1	
16	PIN, JOINT COVER MK.5 ... .. +	C1/BD 0823	1	
17	NUT, check, MK.2 ... .. +	C1/BD 0774	1	MED 72A
18	PIN, keep, 1/16 x 1 ... ..	GIB/CA 13979	1	
19	PIN ... ..	C1/BD 7908	1	MED 553

Plate G

BALL MUZZLE-ATTACHMENT

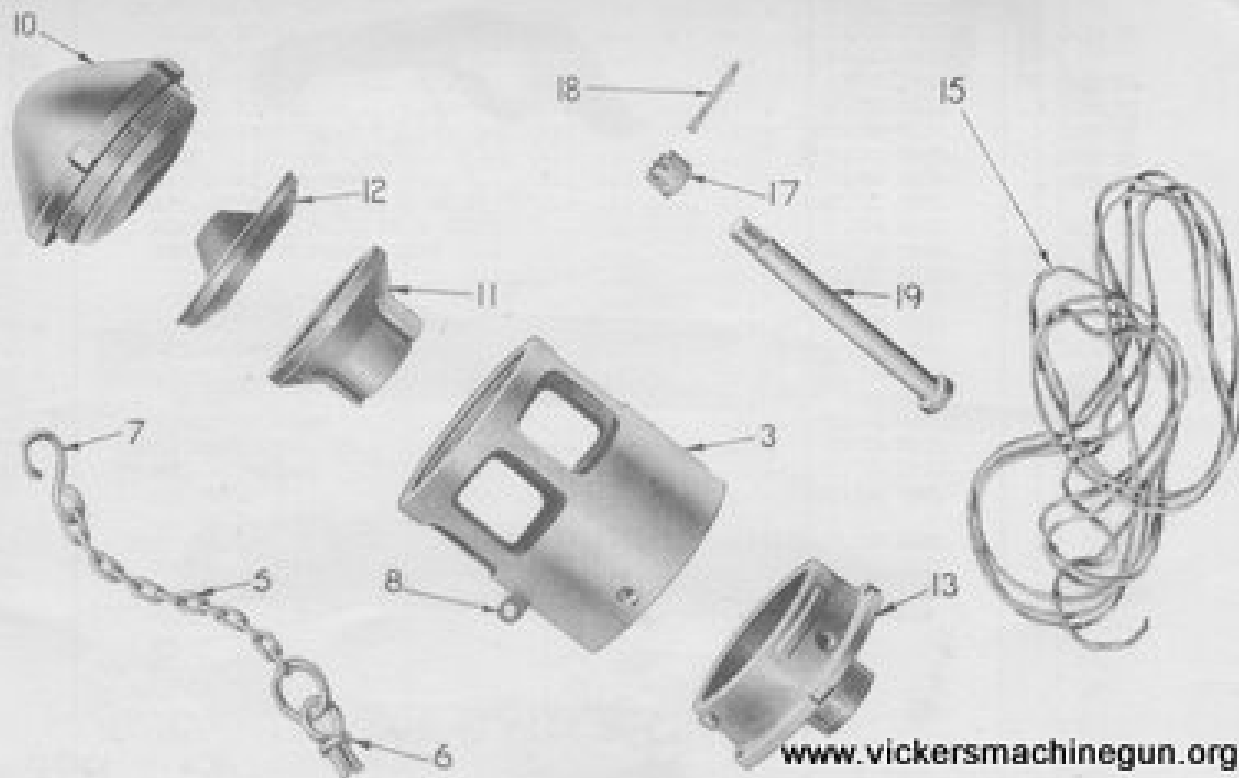
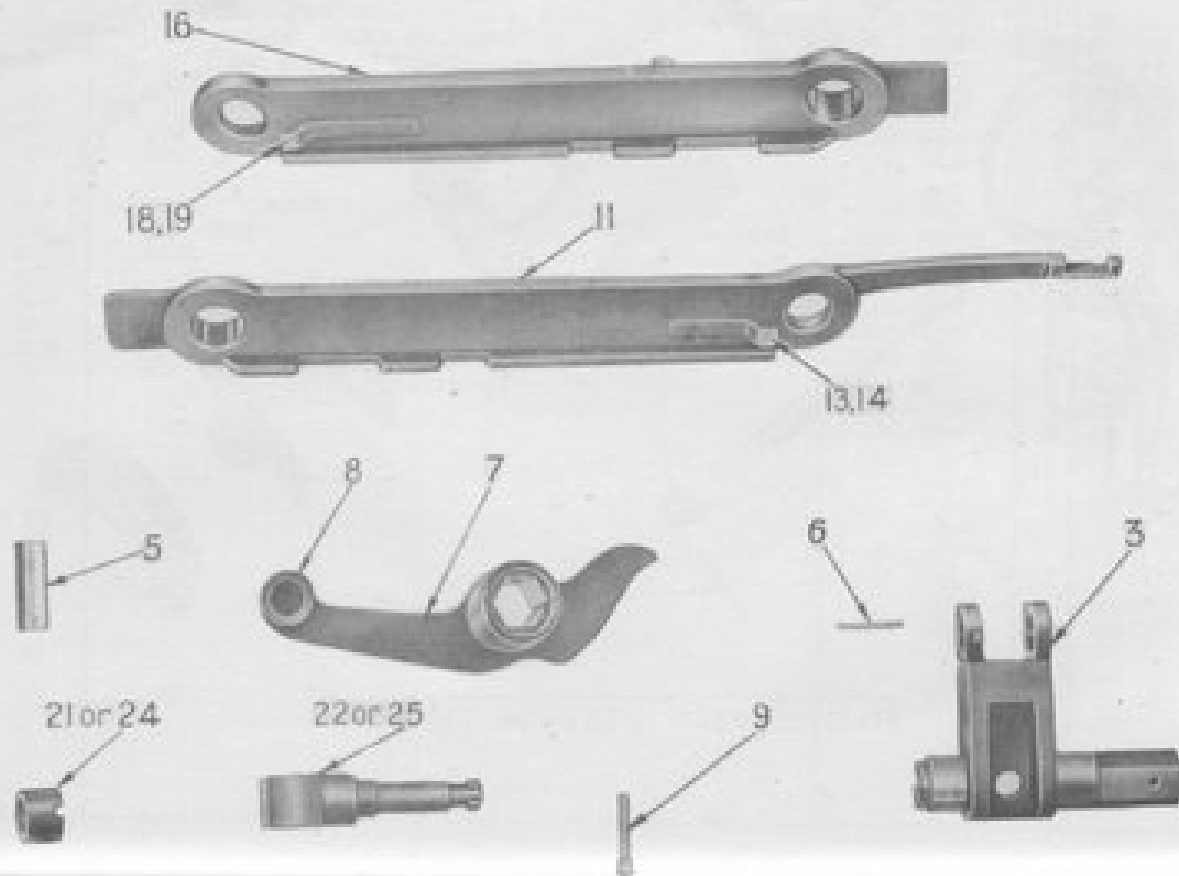


Plate H

SIDE PLATES & CRANK



- 8 -

PLATE REF. NO.	DESIGNATION	V.A.O.S. SECT. & PART OR CAT. NO.	Nº OFF	DRAWING Nº
R	GUN, MACHINE, VICKERS, .303-IN., MK.1 (contd.) -			
1 /	PLATES, SIDE AND CRANK	01/CA 0499	1	MOA 225
2 /	CRANK, MK.1A	01/CA 0230	1	
3	CRANK, MK.1A	01/CA 0507	1	MGD 38
4 /	PIN, CRANK	01/SD 0811	1	
5	PIN	01/SD 7924	1	MGD 91
6	PIN, fixing	01/SD 0817	1	MGD 95
7	HANDLE, crank, MK.1	01/SD 0730	1	MGD 52
8	KNOB	01/CA 0500	1	MGD 59
9	PIN, fixing, screwed	01/SD 0816	1	MGD 94
10 /	PLATE, SIDE, LEFT, NO.1, MK.1	01/SD 0864	1	
11	PLATE, left, NO.1, MK.1	01/CA 0501	1	MGD 124
12 /	SPRING, SIDE PLATE, LEFT	01/SD 0956	1	
13	RIVET	01/SD 0890	2	MGD 152
14	SPRING, left	01/SD 8075	1	MGD 194
15 /	PLATE, SIDE, RIGHT, NO.1, MK.1	01/SD 0865	1	
16	PLATE, right, NO.1, MK.1	01/CA 0502	1	MGD 125
17 /	SPRING, SIDE PLATE, RIGHT	01/SD 0957	1	
18	RIVET	01/SD 0890	2	MGD 152
19	SPRING, right	01/CA 0504	1	MGD 195
20 /	ROD, CONNECTING, MK.1	01/SD 8005	1	
21	NUT, adjusting	01/SD 0770	1	MGD 71
22	ROD, MK.1	01/CA 0505	1	MGD 165
	OR			
23 /	ROD, CONNECTING, MK.1a	01/SD 8007	1	
24	NUT, adjusting	01/SD 0770	1	MGD 71
25	ROD, MK.1a	01/CA 0506	1	MGD 165

PLATE REF. NO	DESIGNATION	V.A.O.S. SECT. & PART OR CAT. NO	NO OFF	DRAWING NO
J	GUN, MACHINE, VICKERS, .503-IN., MK.1 (contd.)			
1	REAR-CROSSPIECE ... ..	01/BD 0682	1	MGA 230
2	BODY, MK.1 ... ..	01/BD 7650	1	MED 132
3	BOTTLE, OIL ... ..	01/BD 0662	2	MGA 3819
4	BOTTLE ... ..	01/BD 7656	2	MED 8
5	BRUSH, OIL, M.G. ... ..	01/BD 0102	2	
6	BRUSH, MK.1 ... ..	01/OA 0531	2	MED 14
7	OR STEM ... ..	01/BD 6118		
8	BRUSH, MK.2 ... ..	01/BD 4197	2	MED 463
9	CATCH, safety, Mk.1 ... ..	01/BD 0638	1	MED 24
10	GRIP ... ..	01/BD 0720	2	MED 50
11	HEAD, MILLED, M.G. ... ..	01/BD 2014		
12	HEAD, MK.1 ... ..	01/OA 0532	2	MED 53
13	WASHER, brush oil ... ..	01/BD 2696	2	MED 220
14	LEVER ... ..	01/BD 0751	1	
15	LEVER ... ..	01/OA 0508	1	MED 66
16	PAWL ... ..	01/OA 0509	1	MED 79
17	PIN, axle, pawl ... ..	01/OA 0510	1	MED 86
18	LEVER, trigger bar ... ..	01/BD 0755	1	MED 68
19	PIN, axle, firing lever ... ..	01/BD 0806	1	MED 84
20	PIN, JOINT, REAR-CROSSPIECE, MK.3 ... ..	01/BD 0825	1	
21	NUT, check ... ..	01/OA 0611	1	MED 75
22	PIN, keep, 1/16 x 3/4 ... ..	01/OA 3977	1	
23	PIN, MK.3 ... ..	01/BD 7906	1	MED 461
24	PIN, safety, catch ... ..	01/BD 0828	1	MED 103
25	PIN, T fixing, MK.2 ... ..	01/BD 0641	1	MED 462/2 <i>shfts.</i>
26	RIVET, spring, safety catch ... ..	01/OA 0465	1	MED 151
27	SPRING, safety, catch ... ..	01/BD 0953	1	
28	PISTON ... ..	01/OA 0512	1	MED 117
29	SPRING, MK.1 ... ..	01/OA 0513	1	MED 192
30	THIRD, press, firing lever ... ..	01/BD 8094	1	MED 210

REAR CROSSPIECE

Plate J

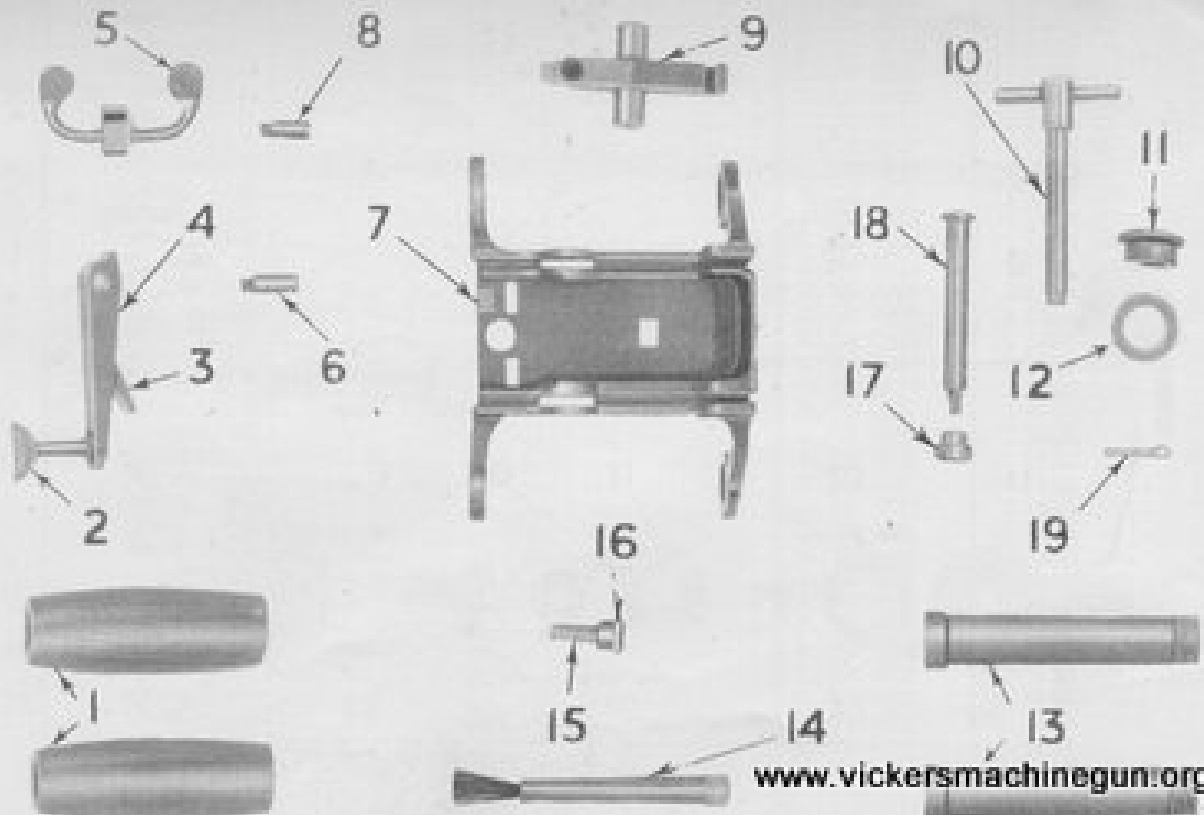


Plate K

FUSEE SPRING ADJUSTING SCREW & TANGENT SIGHT

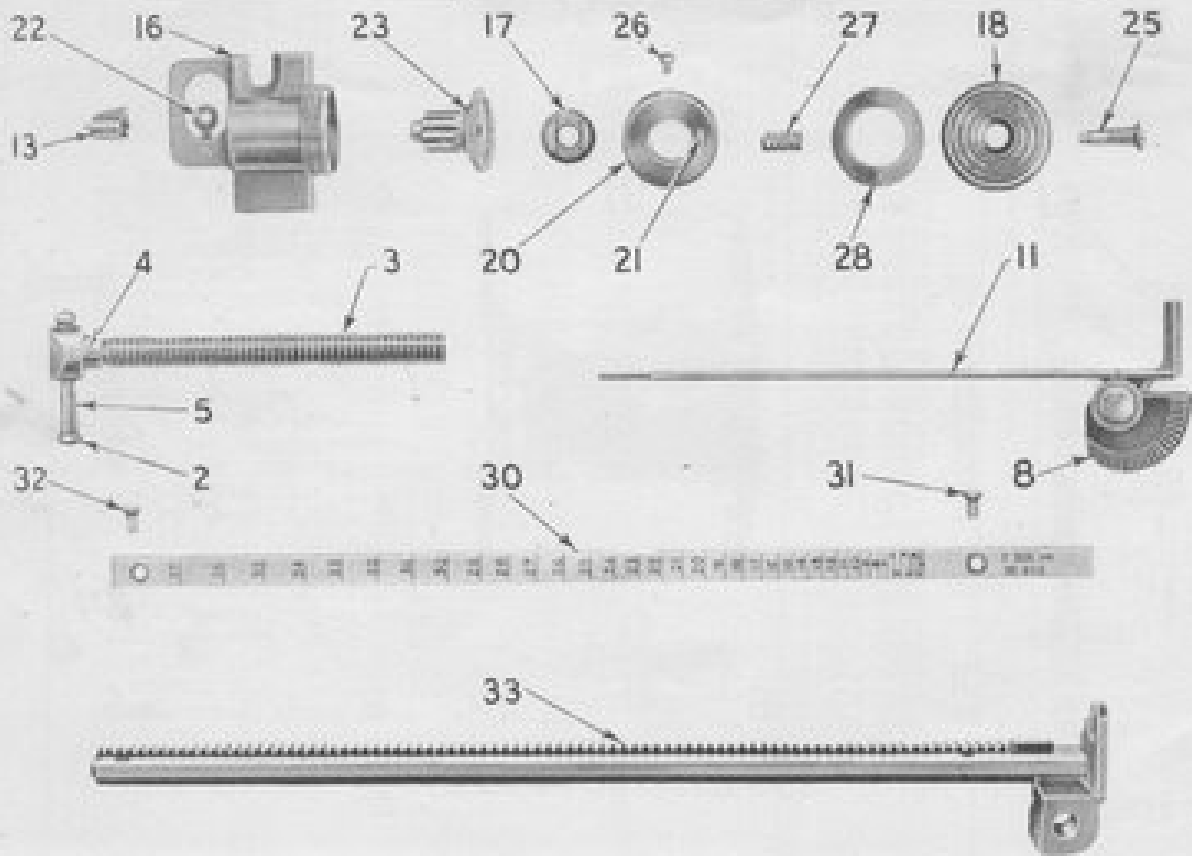
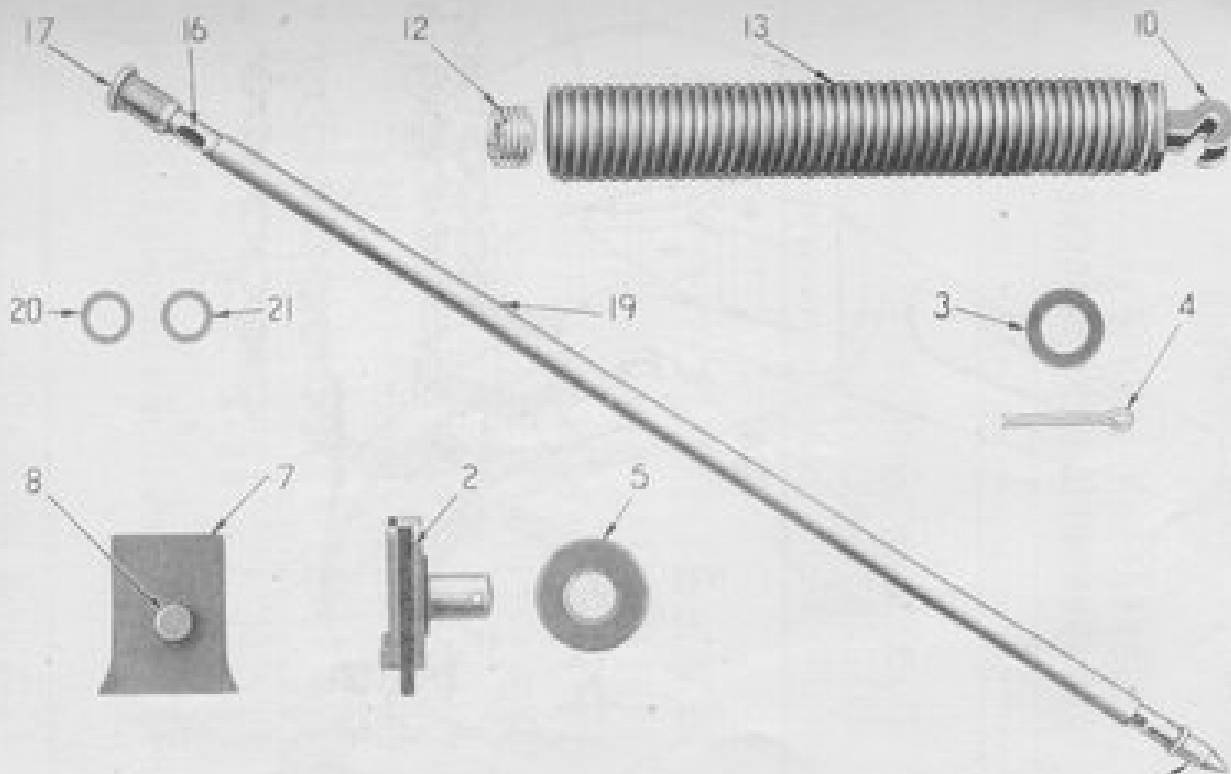


PLATE REF. NO.	DESIGNATION	QA.QS SECT. & NO. PART OR CAT. NO. OFF.	DRAWING NO.
E	GUN, MACHINS, VICKERS, .303-IN., Mk.1 (contd.) -		
1	SCREW, ADJUSTING, FUSEE SPRING	CL/BD 0901	1 MGA 3813
2	NUT, vice pin	CL/CA 0514	2 MGD 60
3	SCREW, Mk.1	CL/CA 0515	1 MGD 169
4	PIN, stop	CL/CA 0516	1 MGD 111
5	VICE, pin	CL/BD 7852	1 MGD 216
6	SHUTTER	CL/BD 0922	1 MGA 3811
7	CATCH	CL/BD 0639	1 MGD 25
8	HEAD, catch	CL/CA 0518	1 MGD 56
9	PIN, catch	CL/BD 0809	1 MGD 89
10	FLANGES, catch	CL/BD 0876	1 MGD 129
11	SHUTTER	CL/CA 0519	1 MGD 178
12	SPRING, catch	CL/BD 0955	1 MGD 196
13	SIGHT, fore, Mk.1	CL/BD 0924	1 MGD 179
14	SIGHT, TANGENT, Mk.1	CL/BD 0928	1 MGA 3805
15	SLIDE, TANGENT SIGHT, Mk.3	CL/BD 0936	1 MGA 1135
16	BODY, Mk.3	CL/CA 0520	1 MGD 1136
17	BUTTON, stop, cap press, Mk.1	CL/BD 0629	1 MGD 1140
18	CAP, press, Mk.1	CL/BD 0635	1 MGD 1143
19	COVER, PINION, TANGENT SIGHT	CL/BD 0653	1
20	COVER, Mk.1	CL/CA 0521	1 MGD 1138
21	SEGMENT, toothed, Mk.1	CL/CA 0523	1 MGD 1139
22	PILLAR, aperture	CL/CA 0522	1 MGD 82
23	PINION, Mk.3	CL/BD 0803	1 MGD 1137
24	RIVET, pillar, aperture	CL/CA 0444	1 MGD 148
25	SCREW, cap, press, Mk.1	CL/BD 0905	1 MGD 1144
26	SCREW, looking cover pinion, Mk.1	CL/BD 0909	1 MGD 1142
27	SPRING, pinion, Mk.1	CL/BD 0951	1 MGD 1141
28	WASHER, spring, cap, press, Mk.1	CL/BD 0996	1 MGD 1145
29	STEM, TANGENT SIGHT, Mk.2	CL/BD 0970	1 MGA 3804
30	PLATE, graduated, No. 2, Mk.1a	CL/BD 0862	1 MGD 140
31	SCREW, lower	CL/BD 0906	1 MGD 170
32	SCREW, upper	CL/BD 0907	1 MGD 171
33	STEM, Mk.2	CL/BD 0908	1 MGD 172

PLATE REF. NO	DESIGNATION	V.A.O.S SECT. & PART OR CAT. NO	NO OFF	DRAWING NO
L	GUN, MACHINE, VICKERS, .303-Bl., MK.1 (contd.)			
1	SLIDE, NO.1, MK.1	01/SD 0931	1	MDA 399
2	BOLT, MK.1	01/SD 8048	1	MD 182
3	COLLAR, roller	01/SD 0648	1	MD 31
4	PIN, keep, 1/8 x 1.1/4	GIB/GA 14019	1	
5	ROLLERS	01/SD 0900	1	MD 166
6	SLIDE, NO.2	01/SD 0932	1	MDA 397
7	SLIDE, MK.1	01/SD 8051	1	MD 181
8	SHD, fusee spring box, rear	01/SD 8093	1	MD 207
9	SPRING, FUSEE, MK.1	01/SD 0944	1	MDA 302
10	HOOK	01/SD 7848	1	MD 57
	OR			
11	HOOK	01/GA 0517	1	MD 58
12	NUT, MK.1 <sup>m</sup>	01/GA 0524	1	MD 427
13	SPRING, MK.1	01/GA 0525	1	MD 188
14	TUBE, STEAM, NO.1	01/SD 0966	1	MDA 3015
15	SCREW	01/GA 0526	1	MD 1
16	CYLINDER	01/GA 0527	1	MD 40
17	HEAD, screwed	01/GA 0528	1	MD 55
18	RIVET, screw	01/GA 0529	1	MD 153
19	SLIDE, valve	01/GA 0530	1	MD 183
20	WASHER, adjusting, No.1	01/SD 0993	3	MD 217
21	WASHER, adjusting, No.2	01/SD 0994	3	MD 218

SLIDES & STEAM TUBE

Plate L



**B** CROSSHEAD

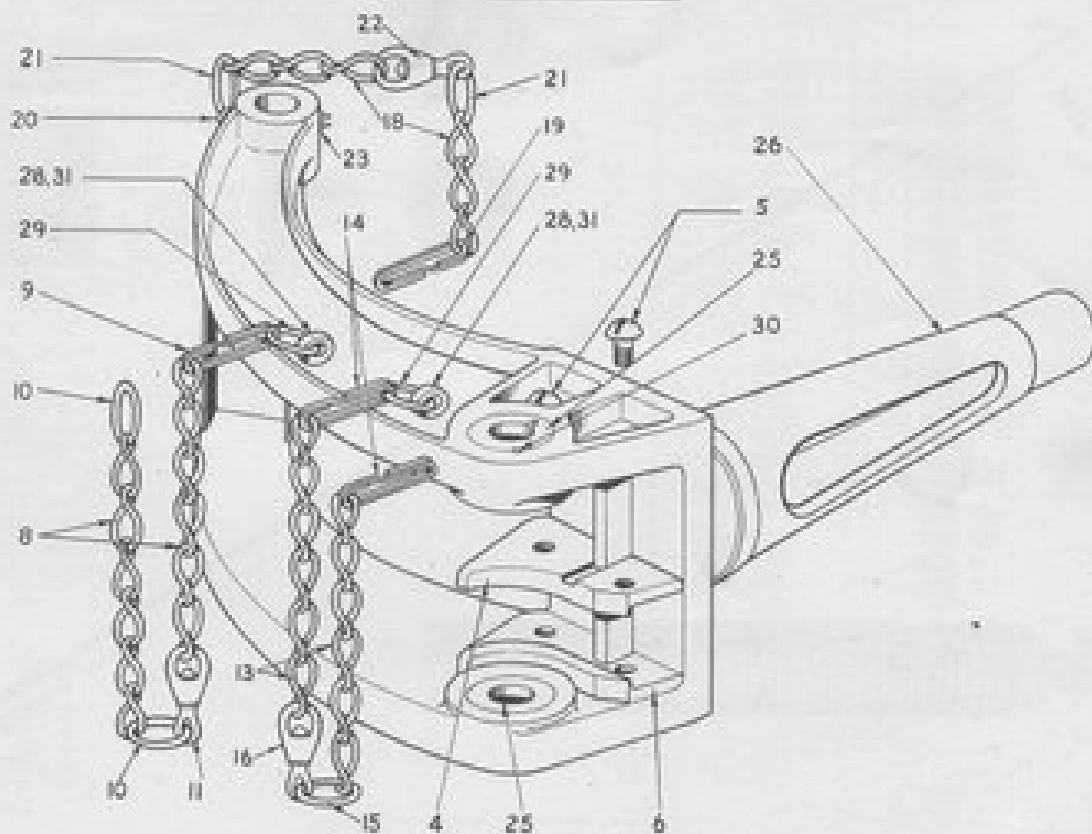


PLATE REF. NO.	DESIGNATION	VAOS SECT. NO. PART OR CAT. NO. OFF.	DRAWING NO.
M			
1	MOUNTING, TRIPOD, 30 1/2-IN., M.G., MK.4B ... ..	G1/BD2226	1 ID(R)2138
2	CROSSHEAD B ... ..	G1/BD2243	1
3	BLOCK, CENTRING, GUN, LEFT ... ..	G1/BD2227	1
4	BLOCK, left ... ..	G1/GA0833	1 MGD 1883
5	SCREW ... ..	G1/BD2890	2 MGD 1937
6	BLOCK, centring, gun, right ... ..	G1/BD2228	1 MGD 1884
7	CHAIN, ELEVATING SCREW, MK.2 ... ..	G1/BD2236	1 MGA 1859
8	CHAIN, 6 links ... ..	G1/BD2305	2 MGD 1891
9	LINK, split ... ..	G1/BD2268	1 MGD 1908
10	RING (a) ... ..	G1/BD2306	2 MGD 1932
11	SWIVEL ... ..	G1/BD2307	1 MGD 1957
12	CHAIN, PIN, JOINT, CROSSHEAD, MK.2 ... ..	G1/BD2238	1 MGA 1861
13	CHAIN, 6 links ... ..	G1/BD2305	2 MGD 1891
14	LINK, split ... ..	G1/BD2268	2 MGD 1908
15	RING (a) ... ..	G1/BD2306	1 MGD 1932
16	SWIVEL ... ..	G1/BD2307	2 MGD 1957
17	CHAIN, PIN, JOINT, ELEVATING GEAR, MK.2 ... ..	G1/BD2240	1 MGA 1860
18	CHAIN, 3 links ... ..	G1/BD2308	2 MGD 1890
19	LINK, split ... ..	G1/BD2268	1 MGD 1908
20	PIN, keep, steel, 1/8 x 1 1/2 rustproof ... ..	M3/MG9270	1
21	RING (a) ... ..	G1/BD2306	2 MGD 1932
22	SWIVEL ... ..	G1/BD2307	1 MGD 1957
23	WASHER ... ..	G1/BD2338	1 MGD 1961
24	CROSSHEAD ... ..	G1/BD2890	1 MGA 1863
25	BUSH ... ..	G1/BD2695	2 MGD 1888
26	CROSSHEAD ... ..	G1/BD2304	1 MGD 1892
27	EYE AND RING ... ..	G1/BD2310	2 MGA 1866
28	EYE, chain ... ..	G1/BD2890	2 MGD 1894
29	RING, chain ... ..	G1/BD2306	2 MGD 1932
30	PIN, keep, crosshead, bush ... ..	G1/BD2344	2 MGD 1921
31	WASHER, eye, crosshead, joint pin ... ..	G1/BD2970	2 MGD 1962

(a) Welded details

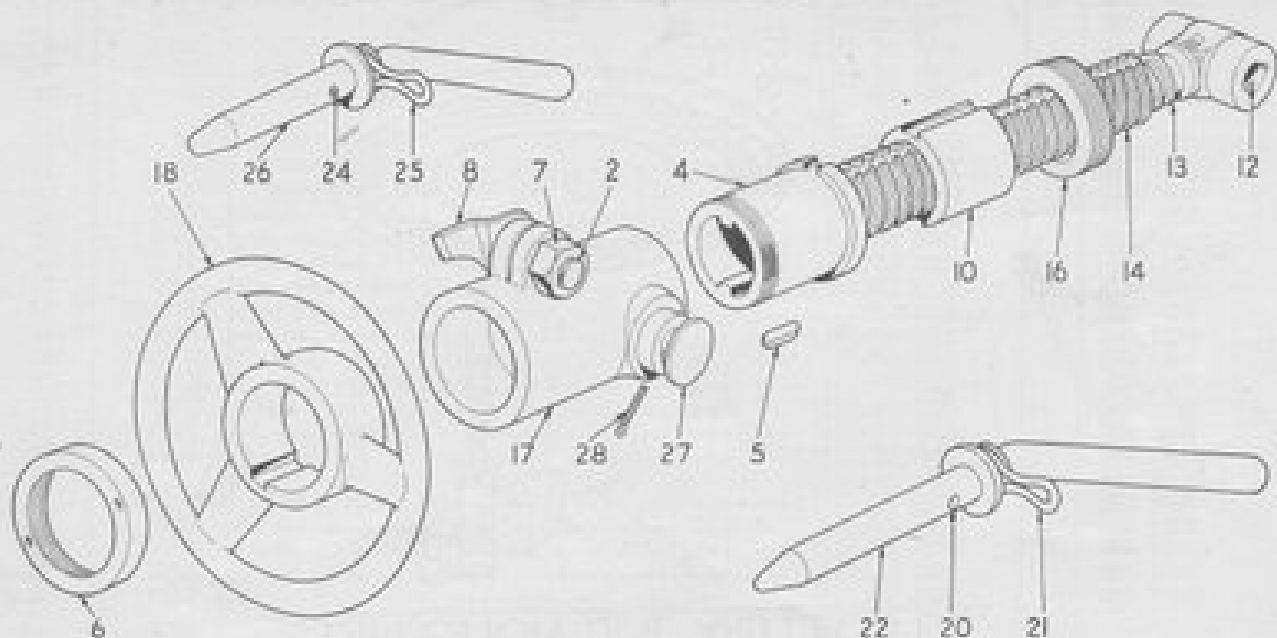


PLATE REF. NO	DESIGNATION	V.A.O.S. SECT. & PART OR CAT. NO	NO OFF	DRAWING NO
N	MOUNTING, TRIPOD, .503-IN., M.G., MK.4B (contd.) - Crosshead B (contd.) -			
1	GEAR, ELEVATING, B	01/BD 2256	1	MGA 1865
2	BOLT, jamming	01/BD 2180	1	MGD 1887
3	HUSH, ELEVATING WHEEL	01/BD 2231	1	
4	HUSH	01/CA 0836	1	MGD 1889
5	FEATHER	01/BD 8898	1	MGD 1898
6	NUT	01/BD 2275	1	MGD 1910
7	NUT, jamming bolt	01/BD 9018	1	MGD 1909
8	POINTED, elevating	01/BD 2302	1	MGD 1931
9	SCREW, ELEVATING, ASSEMBLED	01/BD 2316	1	
10	NUT, elevating	01/BD 8919	1	MGD 1911
11	SCREW, ELEVATING, INNER	01/BD 2311	1	MGD 1878
12	PIN, stop	01/BD 2312	2	MGD 1923
13	SCREW	01/BD 9017	1	MGD 1939
14	SCREW, elevating, outer	01/BD 9110	1	MGD 1940
15	TUMBLER	01/BD 2481	1	
16	NUT	01/BD 8920	1	MGD 1915
17	TUMBLER	01/BD 8925	1	MGD 1950
18	WHEEL, elevating, B	01/BD 2351	1	MGD 1967
19	PIN, JOINT, CROSSHEAD, MK.2B	01/BD 2281	1	MGD 1874
20	FEATHER	01/BD 2327	1	MGD 1895
21	LOOP (a)	01/BD 2269	1	MGD 1906
22	PIN	01/BD 9118	1	MGD 1918
23	PIN, JOINT, ELEVATING GEAR, MK.2B	01/BD 2284	1	MGD 1875
24	FEATHER	01/BD 2328	1	MGD 1896
25	LOOP	01/BD 2270	1	MGD 1907
26	PIN	01/BD 2329	1	MGD 1919
27	PIN, tumbler	01/BD 2290	2	MGD 1924
28	PIN, keep, steel, 1/8 x 2.1/2, rustproof	M3/MO 9271	2	

(a) Welded details

Plate N

ELEVATING GEAR ETC.



DIRECTION DIAL AND LEGS ETC.

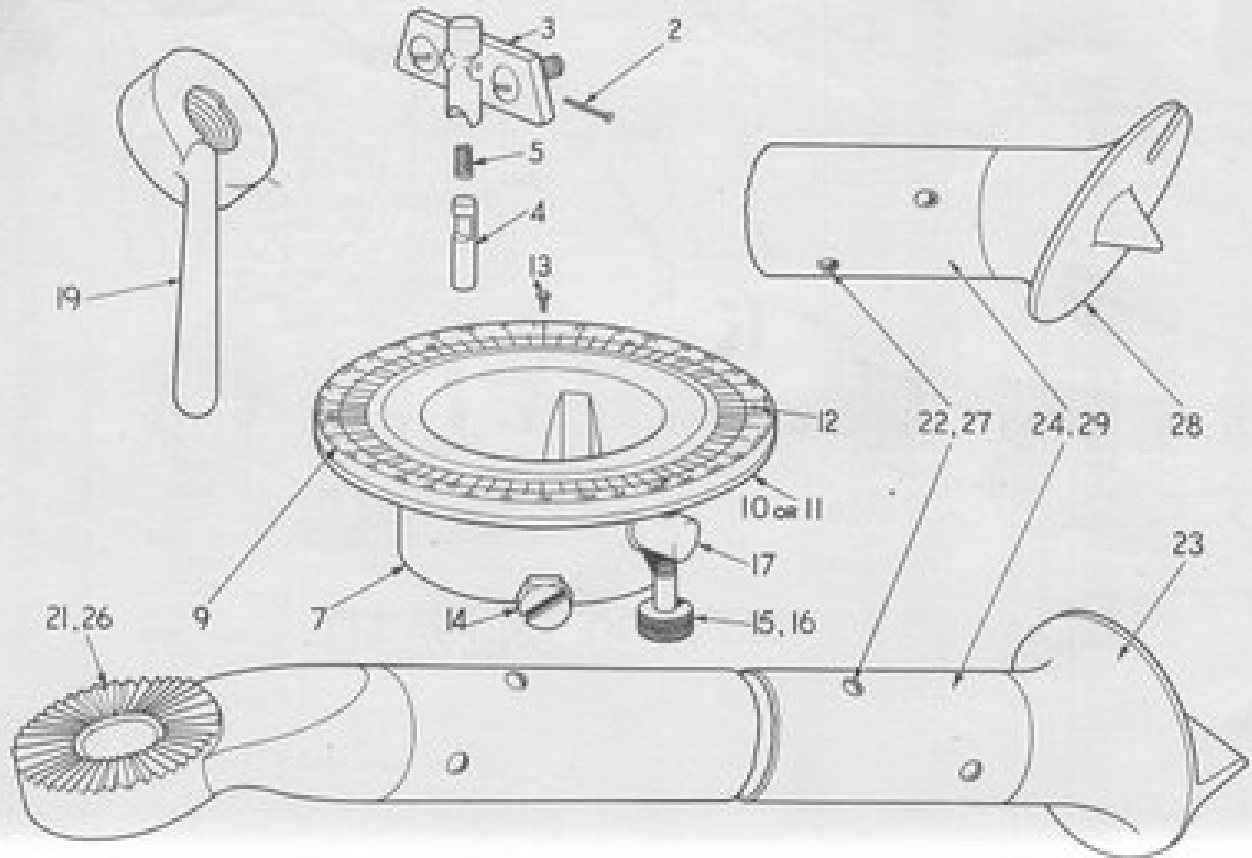


PLATE REF. NO.	DESIGNATION	VAOS SECTION NO. PART OR CAT. NO. OFF.	DRAWING NO.
7	ASSEMBLY, TRIPOD, JOG-IN., K.O., MK.2B (contd.)		
	Crosshead B (contd.)		
1	POINTER, DIAL DIRECTION, MK.2	01/BD 2301	1 MGA 1876
2	PIN, keep, steel, 1/8 x 1, rustproof	M3/MC 8004	1
3	PLATE	01/BD 2295	1 MGD 1929
4	PLUNGER, indicator	01/BD 2298	1 MGD 1930
5	SPRING, plunger, indicator	01/BD 2331	1 MGD 1954
6	DIAL, DIRECTION, MK.2	01/BD 2291	1 MGA 1864
7	BODY	01/BD 8908	1 MGD 1886
8	RING, ADJUSTABLE	01/BD 2310	1
9	RING, graduated (a)	01/BD 8935	1 MGD 1933
10	RING, plain (a)	01/BD 8936	1 MGD 1934 Sht. 1
	OR		
11	RING, plain (a)	01/DA 0565	1 MGD 1934 Sht. 2
12	SCREW, fixing ring	01/BD 2317	6 MGD 1942
13	SCREW, zero, graduated	01/BD 2322	1 MGD 1946
14	SCREW, set	01/BD 2320	3 MGD 1944
15	SCREW, set, rings	01/BD 2321	1 MGD 1945
16	PIN, keep, steel, 1/16 x 1/2, rustproof	M3/MC 8267	1
17	STUD, ring set screw	01/BD 2336	1 MGD 1956
18	FRAGNER, rear leg joint pin	01/BD 9107	1 MGD 1897
19	HANDLE, jamming, front legs	01/BD 2260	2 MGD 1899
20	LEG, FRONT, LEFT, MK.1	01/BD 2265	1 MGA 1867
21	JOINT	01/BD 2315	1 MGD 1902
22	RIVET, tubes	01/BD 2314	4 MGD 1936
23	SHOE	01/BD 8944	1 MGD 1947
24	TUBE	01/BD 9001	1 MGD 1958
	OR		
25	LEG, FRONT, LEFT, MK.2 (b)	01/BD 2320	1 MGA 1870
26	JOINT	01/BD 2315	1 MGD 1902
27	RIVET, tubes	01/BD 2314	4 MGD 1936
28	SHOE	01/BD 2321	1 MGD 1950
29	TUBE	01/BD 9001	1 MGD 1958

(a) Only issued together.  
 (b) For use in India Only.

PLATE REF. NO	DESIGNATION	V.A.O.S SECT. & PART OR CAT. NO	Nº OFF	DRAWING Nº
4	MOUNTING, TRIPOD, .903-IN., M.G., MK.4B			
1 ✓	LEG, FRONT, RIGHT, MK.1	C1/BD 2266	1	MGA 1868
2	JOINT	C1/BE 2315	1	MCD 1903
3	RIVET, tubes	C1/BE 2314	4	MCD 1936
4	SHOE	C1/BD 9002	1	MCD 1948
5	TUBE	C1/BD 9001	1	MCD 1958
	OR			
6 ✓	LEG, FRONT, RIGHT, MK.2 (a)	C1/BE 2322	1	MGA 1871
7	JOINT	C1/BE 2315	1	MCD 1903
8	RIVET, tubes	C1/BE 2314	4	MCD 1936
9	SHOE	C1/BE 2321	1	MCD 1950
10	TUBE	C1/BE 9001	1	MCD 1958
11 ✓	LEG, REAR, MK.1	C1/BD 2267	1	MGA 1869
12	JOINT, left	C1/BE 2316	1	MCD 1904
13	JOINT, right	C1/BE 2317	1	MCD 1905
14	RIVET, tubes	C1/BE 2314	5	MCD 1936
15	SHOE	C1/BE 2319	1	MCD 1949
16	TUBE	C1/BE 2318	1	MCD 1959
	OR			
17 ✓	LEG, REAR, MK.2 (a)	C1/BE 2323	1	MGA 1872
18	JOINT, left	C1/BE 2316	1	MCD 1904
19	JOINT, right	C1/BE 2317	1	MCD 1905
20	RIVET, tubes	C1/BE 2314	5	MCD 1936
21	SHOE	C1/BE 2324	1	MCD 1951
22	TUBE	C1/BE 2318	1	MCD 1959
23 ✓	NUT, JAMMING, REAR LEG	C1/BE 2325	1	MGA 1873
24	DISC	C1/BE 2326	1	MCD 1893
25	HANDLE	C1/BD 2261	1	MCD 1900
26	NUT	C1/CA 0834	1	MCD 1912
27	WASHER, handle	C1/BD 9013	2	MCD 1963
28	PIN, fixing, rear leg jamming nut	C1/BD 9112	1	MCD 1916
29	PIN, rear leg joint	C1/BD 2286	1	MCD 1920

(a) For use in India only.

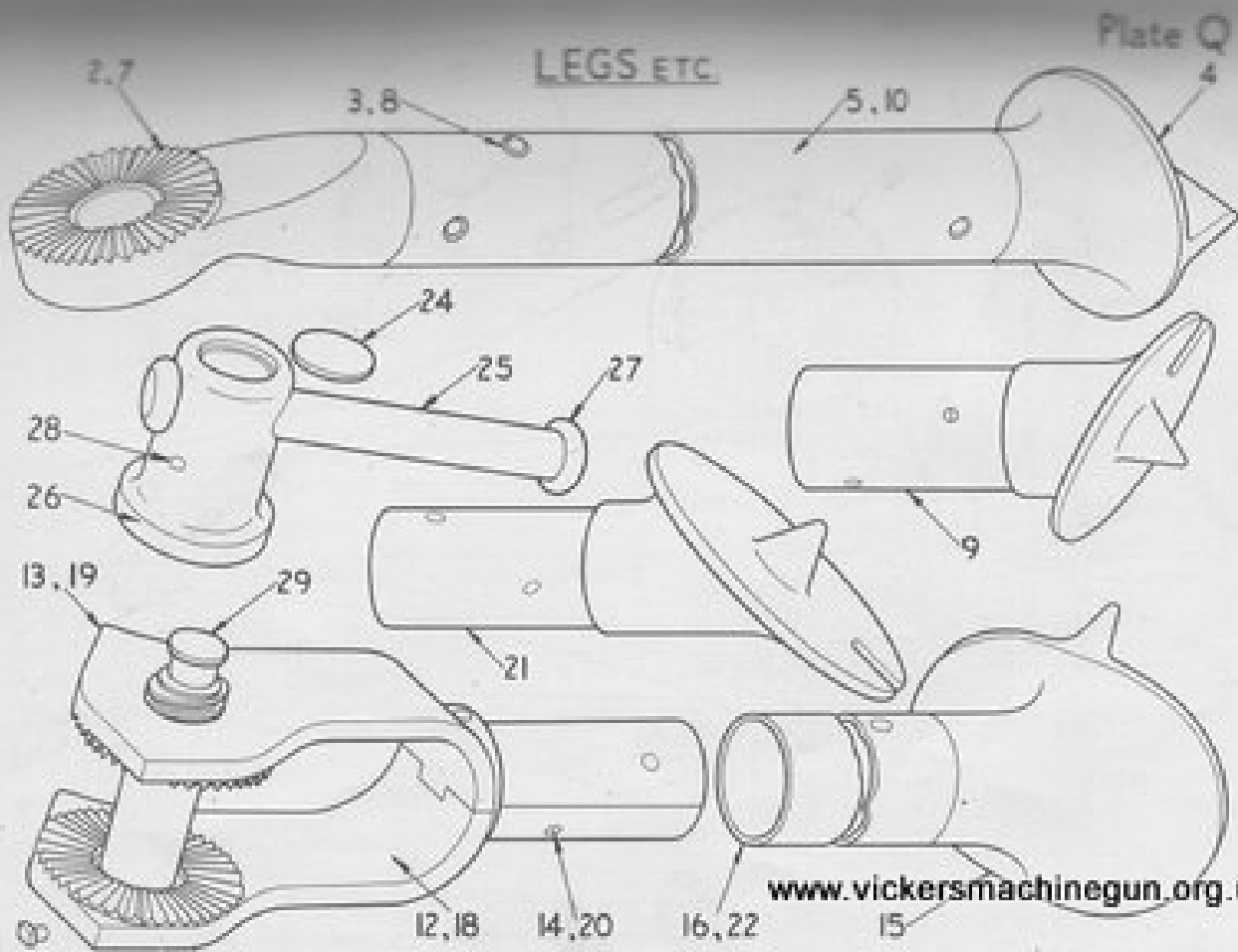


Plate R

SOCKET ETC.

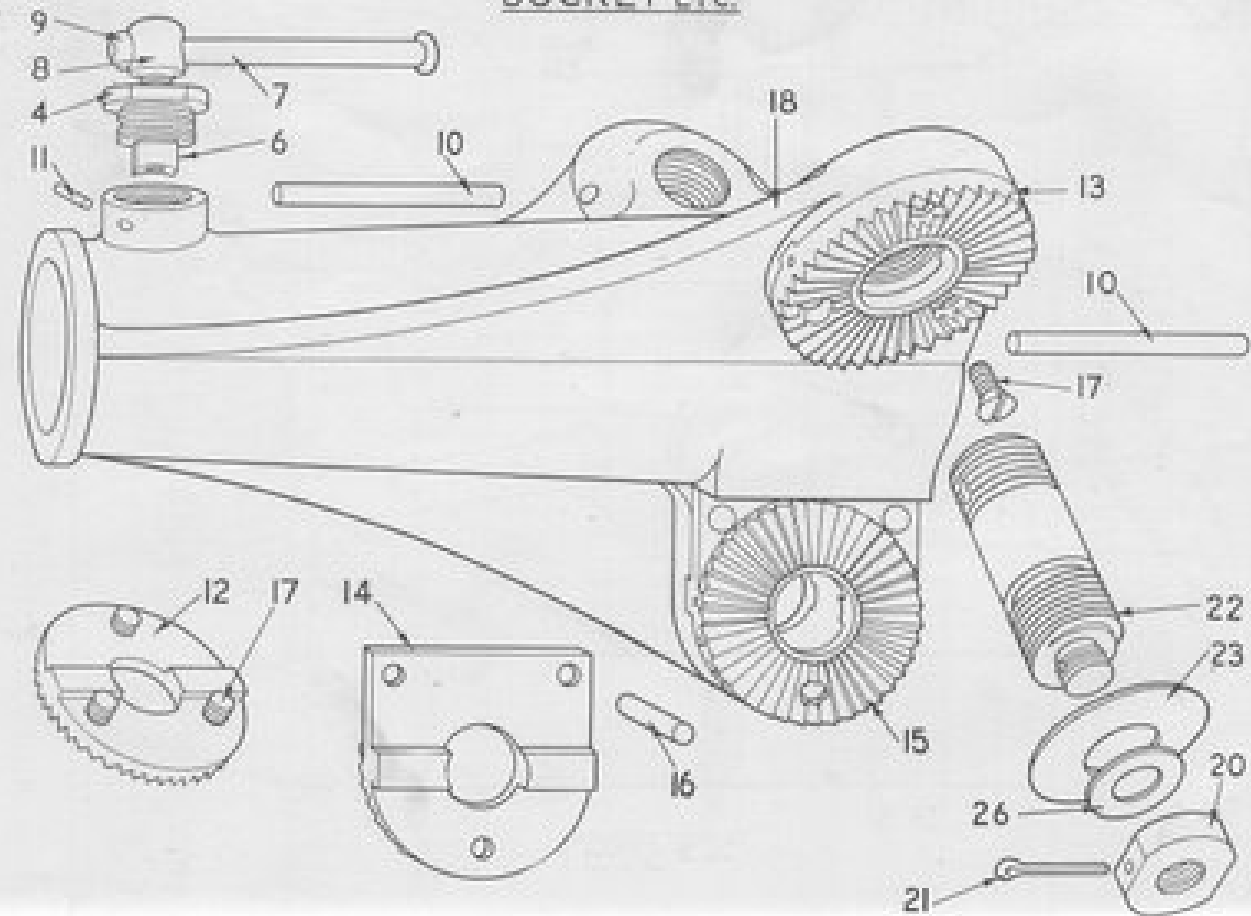


PLATE SYMBOL	DESIGNATION	MADE IN U.K. NO PART OR CATEGORY	DRAWING NO
9	SCREW, 20/20, 20/20, 20/20, 20/20 (cont.) -		
10	SOCKET	CL/BD 2318	2 MGD 1943
11	SOCKET	CL/BD 2318	1 MGA 1879
12	CLAMP, CHECKING, TRAVERSE	CL/BD 2350	1 MGD 1962
13	NUT, screw	CL/BD 2277	1 MGD 1953
14	SCREW	CL/BD 2315	1
15	BLOCK	CL/BD 2329	1 MGD 1885
16	HANDLE	CL/BD 8916	1 MGD 1901
17	SCREW	CL/CA 0835	1 MGD 1938
18	WASHER	CL/BD 9021	2 MGD 1964
19	PIN, fixing, front leg joint stud	CL/BD 9008	2 MGD 1937
20	PIN, nut, screw, clamp, checking, traverse	CL/BD 9109	1 MGD 1916
21	PLATE, clutch, front, left (a)	CL/BD 2331	1 MGD 1925
22	PLATE, clutch, front, right (a)	CL/BD 2332	1 MGD 1926
23	PLATE, clutch, rear, left (b)	CL/BD 8928	1 MGD 1927
24	PLATE, clutch, rear, right (b)	CL/BD 8929	1 MGD 1928
25	RIVET, rear clutch plate	CL/BD 2333	3 MGD 1935
26	SCREW, fixing, front clutch plate	CL/BD 8943	6 MGD 1941
27	SOCKET	CL/BD 8949	1 MGD 1952
28	STUD, JOINT, FRONT LEGS	CL/BD 2335	2
29	NUT	CL/BD 8951	2 MGD 1914
30	PIN, keep, steel, 1/8 x 1.1/2, rustproof	WJ/BC 9270	2
31	STUD	CL/BD 9116	2 MGD 1955
32	SPRING, DISC	CL/BD 2330	2 MGD 1953
33	WASHER, elevating nut (c)	CL/BD 2359	1 S.A.I.D.1946
34	WASHER, stud, joint, front legs, No. 1 (d)	CL/BD 2340	2 MGD 1965
35	OR		
36	WASHER, stud, joint, front legs, No. 2 (d)	CL/BD 2341	2 MGD 1966

(a) Only issued together under  
Cat.No. CL/BD 8927.

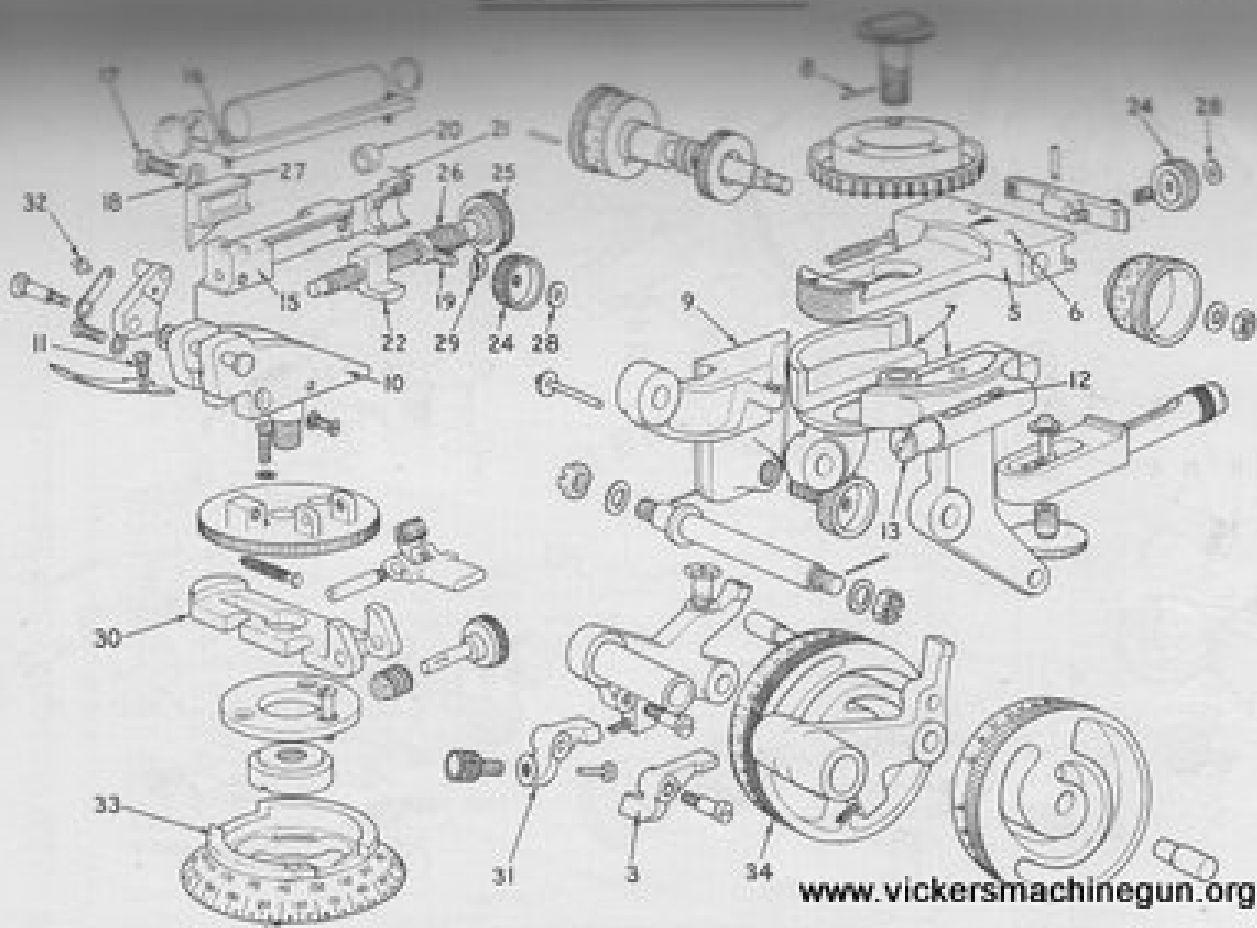
(b) Only issued together under  
Cat.No. CL/CA 0560

(c) For service repairs only.

(d) Fitted in combination as required.

PLATE REF. NO	DESIGNATION	M.A.O.S SECT. & PART OR CAT. NO	NO OFF	DRAWING NO
5				
1	SIGHT, DIAL, M.G., Mk.3	01/BD 6447	1	ID(E) 2021
2	SIGHT, DIAL, M.G., Mk.4	01/CM 288A	1	ID(E) 2021
3	ARM (For Mk.4, Sight)	01/CM 335	1	ID(E) 2021/20
4	ARM (a) (For Mk.3, sight)	01/CA 0859	1	ID(E) 2021/20
5	BEARING	01/CM 130	1	ID(E) 2021/57
6	STEEL, mild, round, 16 S.W.G. x .70		1	Provide locally
7	BODY	01/CM 1302	1	ID(E) 2021/25
8	FIN, taper, solid, steel, 5/64 x 75	LVS/MT1 544A	1	
9	BRACKET	01/CM 342	1	ID(E) 2021/5
10	BRACKET, pivot lensatic sight	01/CM 306	1	ID(E) 2021/4
11	SCREW, B.A., B.S., Chesshead, No.4 x .22	22/ZB 11900	1	
12	BUBBLE, spirit glass, L Mk.1	76/75 1903	1	G.I.W. 1326/11
13	CAP, bubble	01/CM 135	1	ID(E) 1808/32
14	CARRIER	01/CM 208A	1	ID(E) 2161
15	CARRIER, lensatic sight	01/CM 325	1	ID(E) 2021/12
16	SCREW, B.A., steel, oak. hd., No.14 x 5/16	22/ZB 12236	2	
17	SCREW, B.A., steel, roundhead, No.2 x 5/8	22/ZB 12268	1	
18	WASHER, spring single coil square section, 3/16	LVS/MT5, 4, 994, 6	1	
19	CLAMP, lead screw	01/CM 328	1	ID(E) 2021/16
20	COLLAR	01/CM 329	1	ID(E) 2021/15
21	FIN, fixing .064 x .35	01/BD 8626	1	
22	CURSOR	01/CM 330	1	ID(E) 2021/14
23	CURSOR, with lead screw	01/BD 8640	1	
24	NUT	01/CM 149	2	ID(E) 1808/50
25	SCREW, lead cursor	01/CM 337	1	ID(E) 2021/13
26	SPRING	01/CM 341	1	ID(E) 2021/18
27	STOP	01/CM 345	1	ID(E) 2021/11
28	WASHER, clamping stud and lead screw clamp	01/CM 184	2	ID(E) 1808/51
29	WASHER, spring, lead screw clamp	01/CM 343	1	ID(E) 2021/17
30	CARRIER, lensatic, sight worm	01/CM 327	1	ID(E) 2021/3
31	CLAMP, friction angle of sight	01/CM 315	1	ID(E) 2001/3
32	DIAL	01/CM 331	1	ID(E) 2021/8
33	DIAL	01/CM 316	1	ID(E) 2001/10
34	DIAL, angle sight	01/CM 317	1	ID(E) 2001/4

(a) Teeth are not out in arms supplies as replacements for Mk.3 sights.



# DIAL SIGHT.

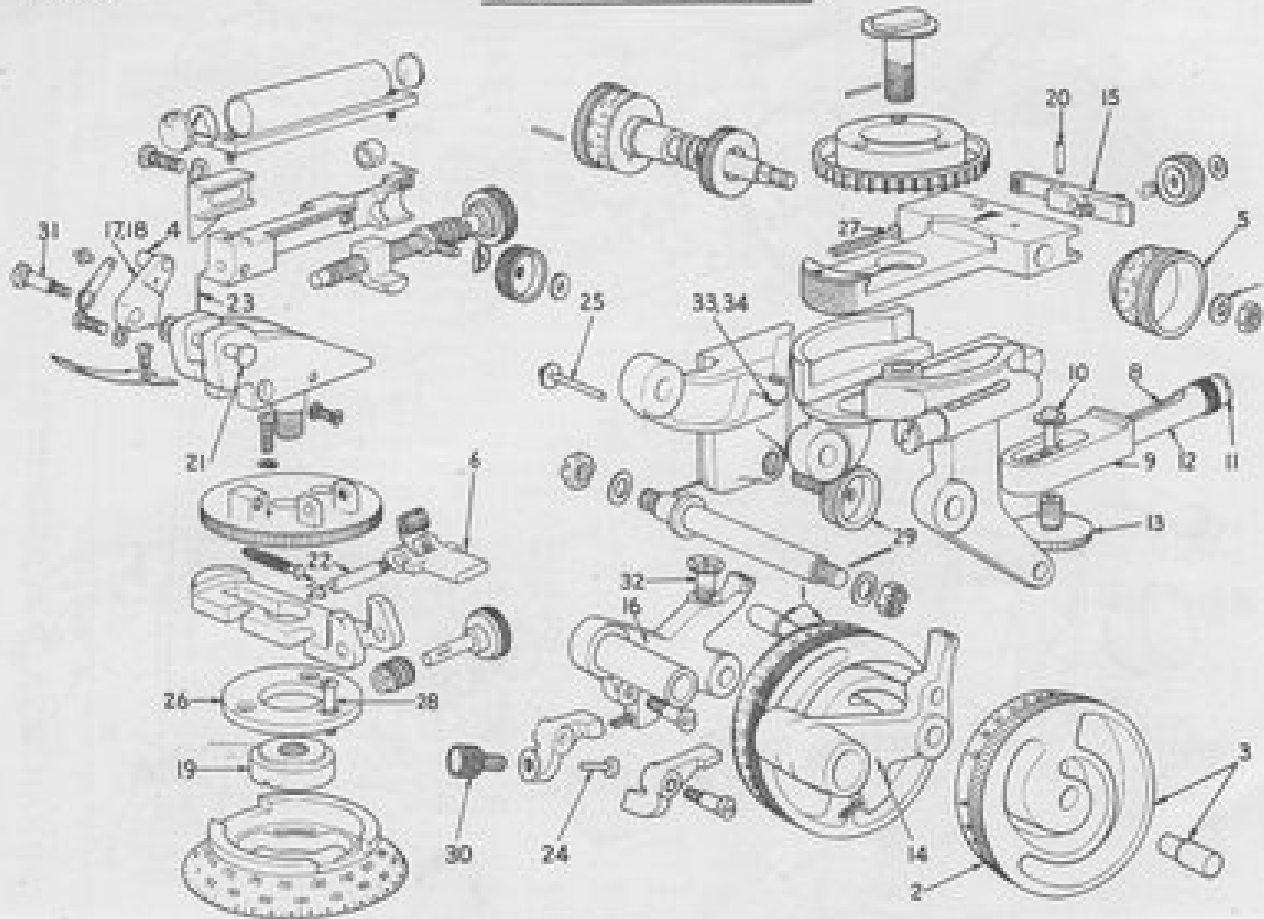
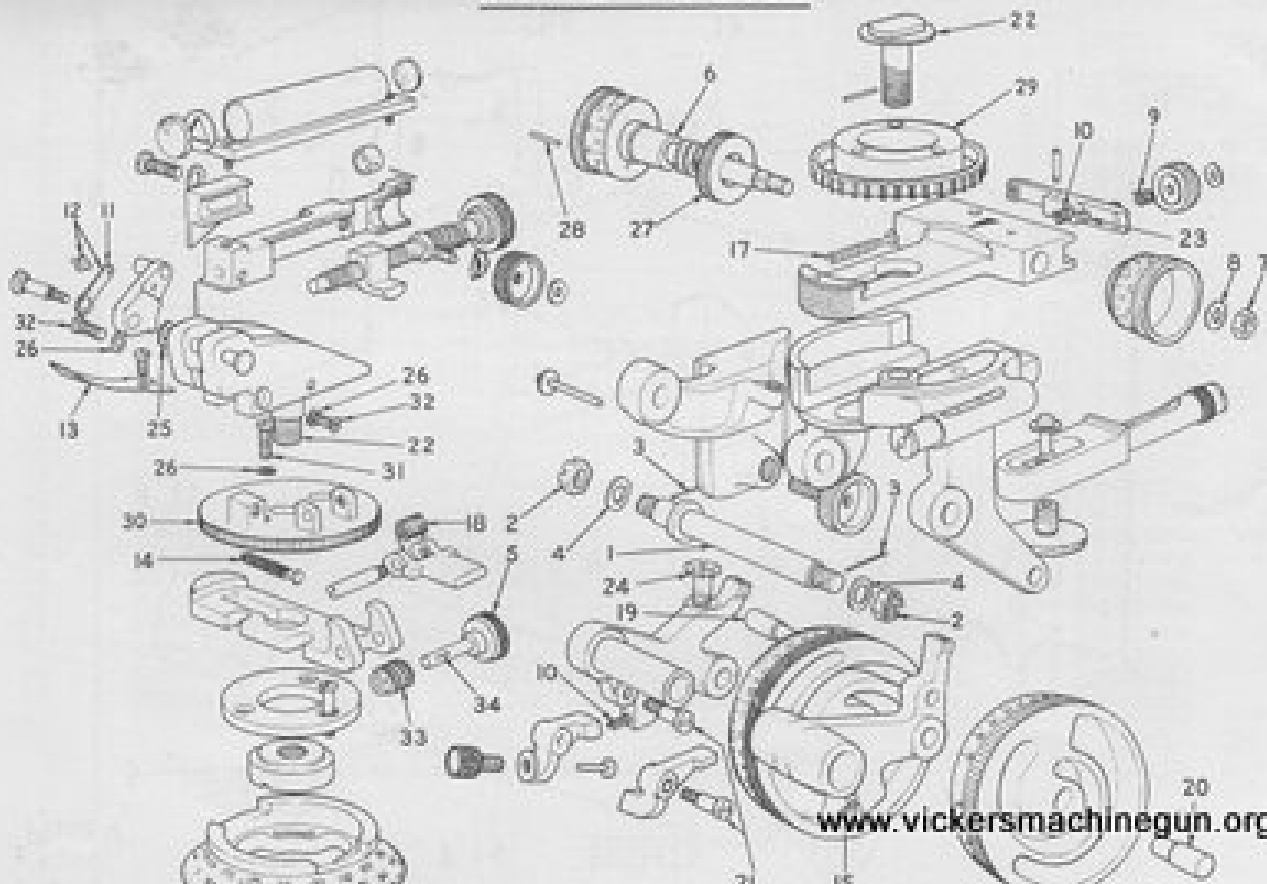


PLATE REF. NO	DESIGNATION	V.A.O.S SECT. & PART OR CAT. NO	No OFF	DRAWING NO 9
T	SIGHT, DIAL, M.G., MK.3 (contd.) - SIGHT, DIAL, M.G., MK.4 (contd.) -			
1	DRUM, angle of sight, with stud	C1/BD 8641	1	DD (E) 2001/4 & 1808/9
2	DRUM, range	C1/CM 334	1	DD (E) 2021/19
3	DRUM, range, with stud	C1/BD 8642	1	DD (E) 2021/19 & 1808/9
4	HANDLE	C1/CM 332	1	DD (E) 2021/7
5	HEAD	C1/CM 143	1	DD (E) 1808/4
6	LATCH	C1/CM 144	1	DD (E) 1808/64
7	LEVEL, MENSURANT, SIGHT DIAL, M.G., MK.1	C1/CM 185A	1	DD (E) 1855
8	SCHELE, spirit glass, L, MK.1	W5/PL 1903	1	CIF 1326/11
9	HOUSING	C1/CM 196	1	DD (E) 1855/3
10	PIN, FRICTION	C1/CM 195	1	DD (E) 1855/2
11	PLUG	C1/CM 198	1	DD (E) 1855/6
12	PROTECTOR	C1/CM 197	1	DD (E) 1855
13	SCREW	C1/CM 194	1	DD (E) 1855/1
14	LEVER, angle of sight drum	C1/CM 319	1	DD (E) 2001/5
15	LEVER, clicker	C1/CM 147	1	DD (E) 1808/45
16	LEVER, levelling	C1/MS 4355	1	DD (E) 2001/2
17	LEVER, levelling, lensatic sight	C1/CM 333	1	DD (E) 2021/6
18	LEVER, levelling, lensatic sight, with stud	C1/BD 8644	1	DD (E) 2021/6 & 7
19	NUT, securing, lensatic sight pivot bracket	C1/CM 150	1	DD (E) 1808/56
20	PIN, axis, clicker lever	C1/CM 151	1	DD (E) 1808/46
21	PIN, axis, carrier	C1/MS 4174	1	DD (E) 2021/28
22	PIN, axis, zero latch	C1/CM 152	1	DD (E) 1808/62
23	PIN, retaining, carrier axis pin	C1/MS 4175	1	DD (E) 2021/26
24	PIN, friction clamp	C1/CM 156	1	DD (E) 1808/18
25	PIN, register, bracket screw	C1/CM 157	1	DD (E) 1808/7
26	PLATE, clamping, dial	C1/CM 321	1	DD (E) 2001/11
27	FLUNKER, lensatic sight worm carrier spring	C1/CM 336	2	DD (E) 2021/21
28	SCREW, adjusting, dial	C1/CM 160	3	DD (E) 1808/55
29	SCREW, bracket	C1/CM 161	1	DD (E) 1808/6
30	SCREW, friction, clamp	C1/CM 163	1	DD (E) 1808/17
31	SCREW, lensatic sight levelling lever	C1/CM 338	1	DD (E) 2021/10
32	SCREW, locking, levelling lever	C1/CM 162	1	DD (E) 1808/16
33	SHIM, lever, levelling, .002-in., thick	C1/BD 8624	4	
34	SHIM, lever, levelling, .003-in., thick	C1/BD 8625	4	

PLATE REF. NO	DESIGNATION	V.A.O.S SECT. & PART OR CAT. NO	NO OFF	DRAWING NO
0	SIGHT, DIAL, M.G., No. 3 (contd.) - SIGHT, DIAL, M.G., No. 4 (contd.) -			
1	SPINDLE, bracket	C1/CM 1301	1	DD(E)2021/2a
2	NUT, B.S.F., B.S., slotted, hex., 5/16	22/ZB 13169	2	
3	PIN, keep, steel, 1/16 x 3/4	G18/GA 13977	2	
4	WASHER, B.S.F., steel, 5/16	22/ZB 10330	2	
5	SPINDLE, lensatic sight worm	C1/CM 359	1	DD(E)2021/1
6	SPINDLE, worm	C1/CM 322	1	DD(E)2001/8
7	NUT, B.S.F., brass, hex., 1/4	22/ZB 10607	1	
8	WASHER, B.S.F., brass, 1/4	22/ZB 10036	1	
9	SPRING, clamping stud	C1/CM 172	1	DD(E)1808/43
10	SPRING, clicker lever and friction clamp	C1/CM 173	2	DD(E)1808/19
11	SPRING, detent	C1/CM 340	1	DD(E)2021/9
12	SPRING, detent, with detent	C1/BD 8643	1	DD(E)2021/8 & 9
13	SPRING, lensatic sight carrier	C1/CM 176	1	DD(E)1808/79
14	SPRING, lensatic sight worm carrier	C1/CM 174	1	DD(E)1808/61
15	SPRING, range drum clicker arm	C1/CM 175	1	DD(E)1808/74
16	SPRING, sight, back	C1/CM 176	1	DD(E)1808/79
17	SPRING, worm spindle bearing	C1/CM 177	1	DD(E)1808/38
18	SPRING, zero latch	C1/CM 178	1	DD(E)1808/65
19	STUD, angle of sight and range drums	C1/CM 179	2	DD(E)1808/9
20	STUD, axis angle of sight and range drums	C1/CM 180	2	DD(E)1808/11
21	STUD, axis, clicker arm and friction clamp	C1/CM 181	2	DD(E)1808/15
22	STUD, axis, dial plate	C1/CM 182	1	DD(E)1808/33
23	STUD, clamping, clicker lever	C1/CM 183	1	DD(E)1808/47
24	WASHER, lever, levelling, locking screw	C1/CM 185	1	DD(E)1808/13
25	WASHER, carrier axis pin	C1/MC 4176	1	DD(E)2021/27
26	WASHER, spring, pivot, bracket adjusting and securing screws	C1/CM 186	3	DD(E)1808/67
27	WHEEL, clicker, worm spindle	C1/CM 187	1	DD(E)1808/43
28	STEEL, round mild No. 12, S.W.G., x .35			Provide locally
29	WHEEL, worm, dial	C1/CM 324	1	DD(E)2001/9
30	WHEEL, worm, lensatic sight pivot bracket	C1/CM 323	1	DD(E)2001/12
31	SCREW, B.A., B.S., cheeschead, No. 4 x 5/16	22/ZB 11900	1	Shorten to suit
32	SCREW, B.A., B.S., cheeschead, No. 4 x 3/8	22/ZB 11906	2	Shorten to suit
33	WORM, lensatic sight	C1/CM 344	1	DD(E)2021/2
34	PIN, round, mild steel 18 S.W.G., x .28	C1/BD 8628	1	

## DIAL SIGHT.

Plate U



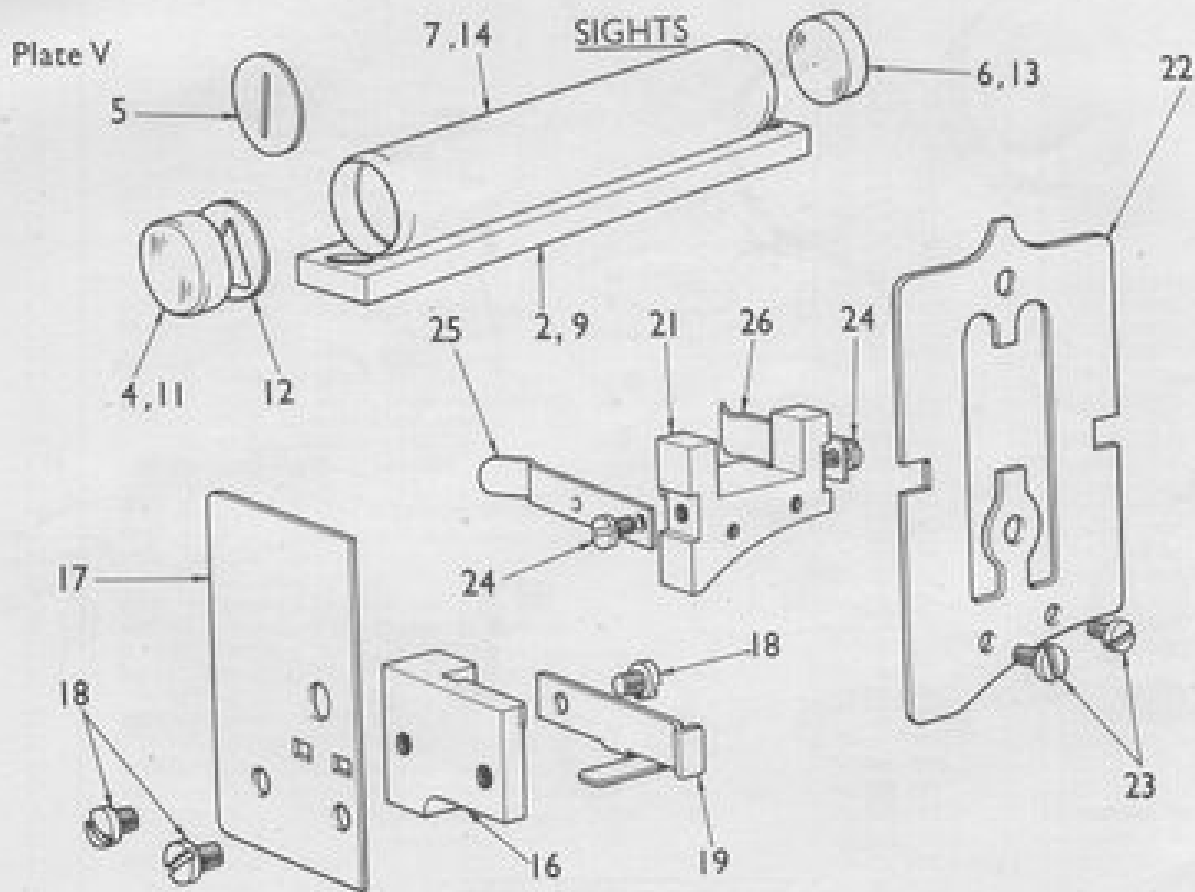
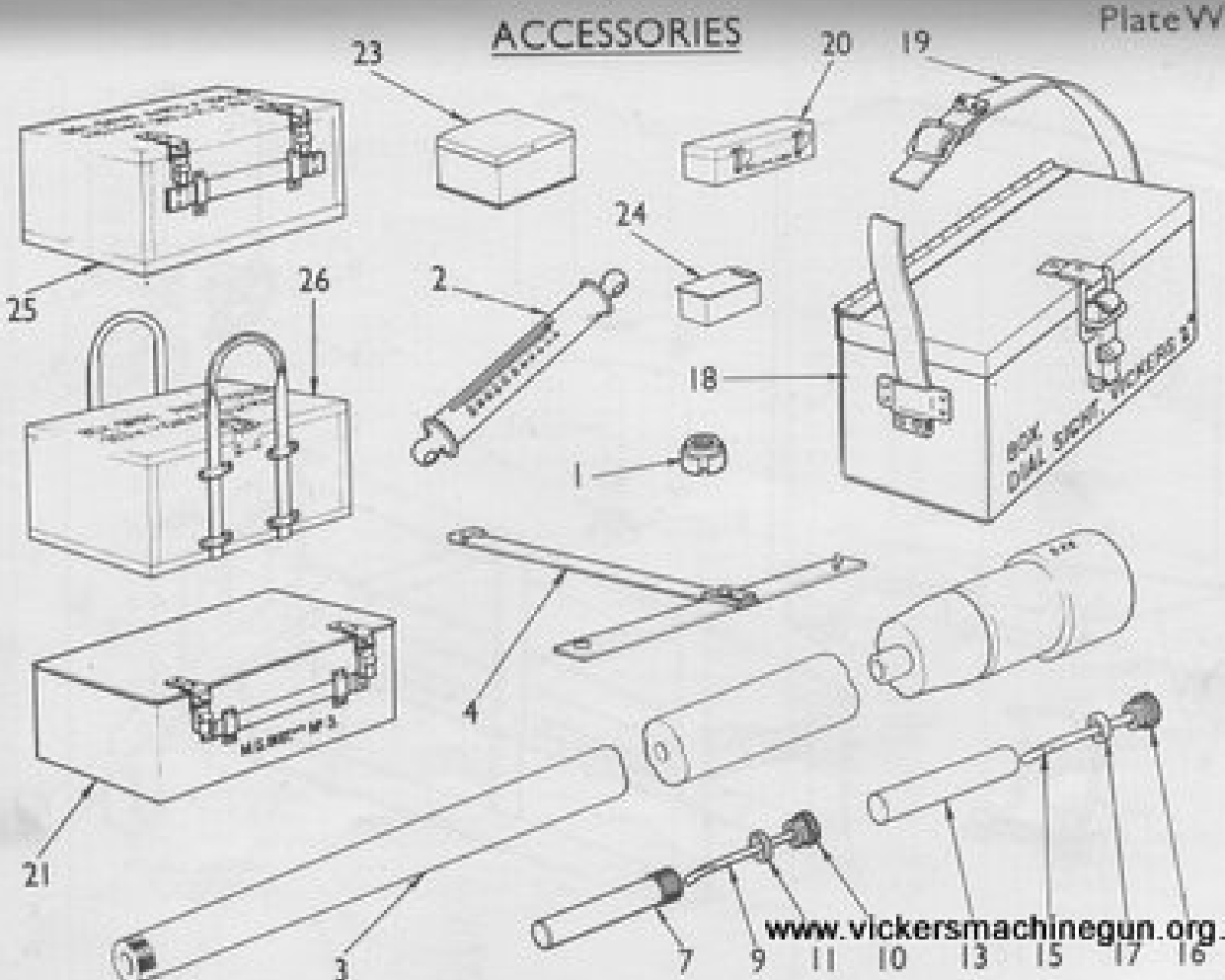


PLATE REF. NO.	DESIGNATION	V.A.O.S. SECT. & PART OR CAT. NO.	NO. OFF.	DRAWING NO.
V				
1 ✓	SIGHT, LEVSATIC, NO.2, MK.1	V5/08 2450A	1	CIA(PO)2138
2	BASE	V5/08 640	1	CIA(PO)794/2
3 ✓	SCREW, B.A., brass, cheesehead No.4 x 3/32 (a)	Z1/ZM 1101	1	
4	CAP	V5/08 643	1	CIA(PO)794/5
5	DISC	V5/08 23111	1	CIA(PO)2138/02
6	LENS	V5/08 642	1	CIA(PO)794/4
7	TUBE	V5/08 639	1	CIA(PO)794/1
	OR			
8 ✓	SIGHT, LEVSATIC, NO.1, MK.1	V5/08 8A	1	CIA(PO)794
9	BASE	V5/08 640	1	CIA(PO)794/2
10 ✓	SCREW, B.A., brass, cheesehead No.4 x 3/32 (a)	Z1/ZM 1101	1	
11	CAP	V5/08 643	1	CIA(PO)794/5
12	DISC	V5/08 641	1	CIA(PO)794/3
13	LENS	V5/08 642	1	CIA(PO)794/4
14	TUBE	V5/08 639	1	CIA(PO)794/1
15 ✓	SIGHT, NIGHT, BACK, VICKERS, .303-IN., M.G., MK.2	C1/BD 2611	1	SAID 2212A
16	BODY	C1/BD 2614	1	SAID 2212A
17	PLATE, sight	C1/BD 2615	3	SAID 2212A
18	SCREW	C1/BD 2616	3	SAID 2212A
19	SPRING	C1/BD 2617	3	SAID 2212A
20 ✓	SIGHT, NIGHT, POZ2, VICKERS, .303-IN., M.G., MK.1	C1/BD 2623	1	DD(Z)185A
21	BODY	C1/BD 2624	1	DD(Z)185A
22	PLATE	C1/BD 2625	1	DD(Z)185A
23	SCREW, graduated plate, upper	C1/BD 0907	2	DD(Z)185A
24	SCREW, spring	C1/BD 2627	2	DD(Z)185A
25	SPRING, left	C1/BD 2628	1	DD(Z)185A
26	SPRING, right	C1/BD 2629	1	DD(Z)185A

(a) Reduce head to 0.08-in., thick and paint red



PLATE REF. NO	DESIGNATION	V.A.O.S SECT. & PART OR CAT. NO	NO OFF	DRAWING NO
<b>Accessories</b>				
K	ADAPTER, CONDENSER, VICKERS, .303-IN., H.G., MK.1	C1/2D 0005	1	MD 2
1	BALANCE SPRING, H.G., MK.1	C1/2D 0025	1	
2	BARREL, MK.2 D.F.B.	C1/2D 0605	1	DD(X) 113/1
3	BASE, .303-IN., H.G., TRIPED MFGS., MK.1	C1/2D 8099	1	DD(X) 2352
4	BATTERY, DRY, MK.2	W2/2B 0024	2	
5	BOTTLE, OIL, MK.5	B1/2A 6320	1	DD(X) 2562
6	BOX	B1/2J 0054	1	DD(X) 2562/1
7	STOPPER	B1/2B 6321	1	
8	SPOON	B1/2B 6328	1	DD(X) 2562/2
9	STOPPER	B1/2B 6327	1	DD(X) 2562/3
10	WASHER	B1/2A 6326	1	DD(X) 2562/3
11	OR			
12	BOTTLE, OIL, MK.4	B1/2A 0053	1	SAID 939A
13	BOX	B1/2A 1004B	1	SAID 939A
14	STOPPER	B1/2B 0055	1	SAID 939A
15	SPOON	B1/2B 0054	1	SAID 939A
16	STOPPER	B1/2A 1004A	1	SAID 939A
17	WASHER	B1/2B 0056	1	SAID 939A
18	BOX, DIAL SIGHT, VICKERS, H.G., MK.2 <sup>nd</sup>	C1/2D 6093	1	DD(X) 3588
19	STRAP	C1/2M 566	1	DD(X) 2329
20	BOX, LEVEL, CHECKING, H.G., DIAL SIGHT, MK.1	C1/2E 0043	1	DD(X) 1978
21	BOX, H.G., INSTRUMENTS, MK.3	C1/2D 6034	1	DD(X) 3206/ 3 sheets
22	OR			
23	BOX, H.G., INSTRUMENTS, MK.2 <sup>nd</sup>	C1/2D 6033	1	
24	BOX, PATCH, FIRST AID, VICKERS, H.G., MK.1	C1/2D 0093	1	DD(X) 2075
25	BOX, SMALL PARTS, H.G., NO.1, MK.1	C1/2D 0095	1	SAID 918
26	BOX, SPARE PARTS AND TOOLS, VICKERS, .303-IN., H.G., MK.3 (Empty)	C1/2D 6082	1	DD(X) 3425/ 3 sheets
27	OR			
28	BOX, SPARE PARTS AND TOOLS, VICKERS, .303-IN., H.G., MK.2 <sup>nd</sup> (Empty)	C1/2D 0099	1	SAID 2121 & 2122/2 shts.
29	OR			
30	BOX, SPARE PARTS AND TOOLS, VICKERS, .303-IN., H.G., MK.3 (Filled)	C1/2A 0736	1	
31	OR			
32	BOX, SPARE PARTS AND TOOLS, VICKERS, .303-IN., H.G., MK.2 <sup>nd</sup> (Filled)	C1/2D 0101	1	
33	MILB, 4 VOLT, P	W2/2B 0067	2	



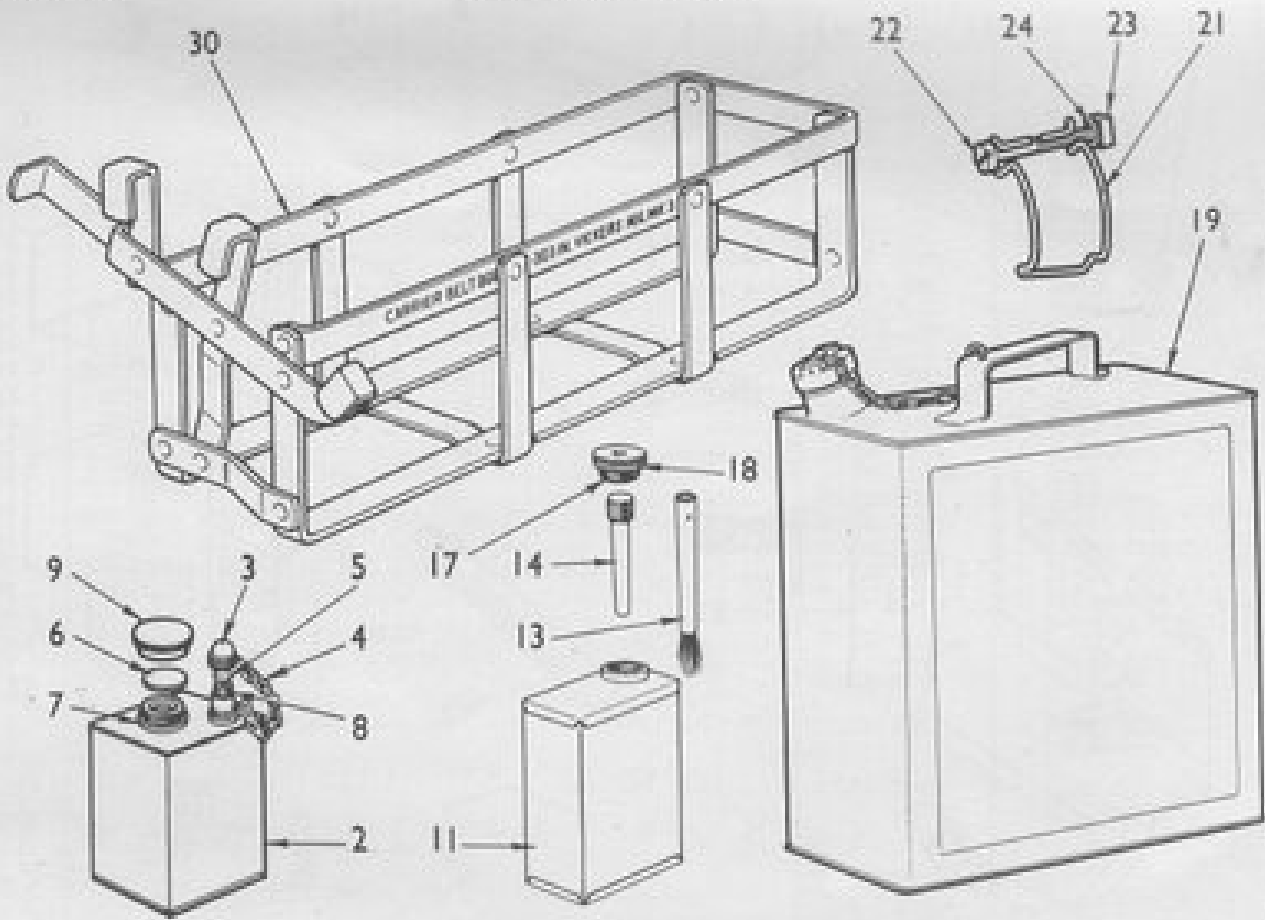
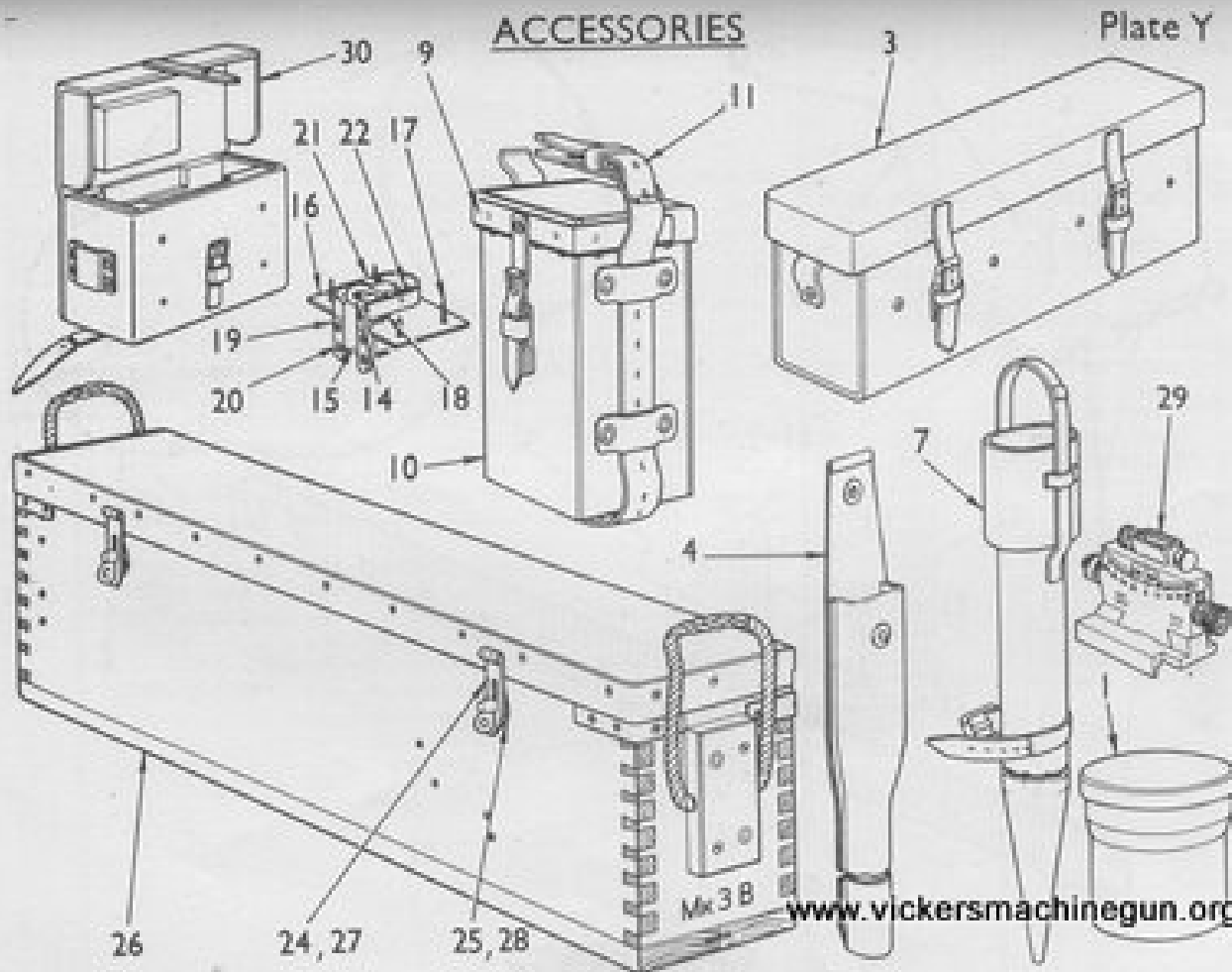


PLATE REF. NO	DESIGNATION	V.A.O.S SECT. & PART OR CAT. NO	Nº OFF	DRAWING Nº
1	<u>Accessories (contd.)</u>			
1	CAN, HALF-PINT, Mk.2	C1/BD 0132	1	SAID 1689
2	BODY	C1/CA 0570	1	SAID 1689/1
3	CAP	C1/CA 0571	1	SAID 1689/4
4	CHAIN, with two loops	C1/CA 0572	1	SAID 1689/6
5	DISC, cap	C1/CA 0573	1	SAID 1689/8
6	DISC, stopper	C1/CA 0574	1	SAID 1689/7
7	MOUTH	C1/CA 0575	1	SAID 1689/3
8	NOZZLE	C1/CA 0576	1	SAID 1689/5
9	STOPPER	C1/CA 0577	1	SAID 1689/2
10	CAN, OIL, M.G., Mk.1	C1/BD 0133	1	SAID 999A
11	BODY	C1/CA 0862	1	SAID 999A
12	BRUSH, oil, M.G., Mk.1	C1/BD 0102	1	
13	BRUSH, Mk.1	C1/CA 0531	1	MCD 14
14	STEM	C1/BD 6118	1	MCD 202
	OR			
15	BRUSH, Mk.2	C1/BD 4197	1	MCD 463
16	HEAD, milled, M.G.	C1/BD 2014	1	
17	HEAD, Mk.1	C1/CA 0532	1	MCD 53
18	WASHER	C1/BD 2696	1	MCD 220
19	CAN, WATER, 2 GALLON	LV6/WT1/37556w	1	
20	CLIP, pourer	C1/BD 6355	1	
21	CLIP	C1/BD 0261	1	SAID 2052
22	SCREEN, clip	C1/BD 0262	1	SAID 2052
23	NUT, B.S., B.S., square, No.1 x 3/8	22/78 12868	1	
24	WASHER	C1/BD 6362	1	SAID 2052
25	POURER	J2/JA 6543	1	
26	CHAIN, 14 links	C1/BD 0195	1	
27	HOOK, "S" M.G.	C1/BD 2027	1	SAID 2052
28	HOOK, "S" special		1	Provide locally
29	RING, swivel	C1/BD 6360	1	SAID 2052
30	CARRIER, BOLT, BOX, .303-IN., VICKERS, M.G., Mk.3	C1/BD 0136	1	BD(S)2428/ 2 Sheets

PLATE REF NO	DESIGNATION	V.A.O.S. SECT. & PART OR CAT. NO	NO OFF	DRAWING NO
Y	Accessories (contd.)			
1	CASE, BATTERY AND BULBS, MK.3 ... ..	01/SM 3A	1	ID(E) 3026
2 /	CASE, BATTERY AND BULBS, MK.2 ... ..	01/SD 6069	1	
3	CASE, GANS, .303-IN., M.G., MK.1 ... ..	01/SD 0160	1	SAID 1740
4	CASE, FEED, FINE LINE, M.G., MK.1 ... ..	01/SD 0168	1	ID(E) 1492
5 /	CASE, PROTRACTOR, RESECTOR, MK.1 ... ..	01/SD 0169	1	
6 /	CASE, RULR, SLIDE, M.G., MK.4 ... ..	01/SD 6202	1	
7	CASE, SPARE MAGAZINE AND CLEANING ROD, .303-IN., M.G., MK.2	01/SD 0165	1	SAID 1740
8 /	CASE, SPARE PARTS AND TOOLS, VICKERS, .303-IN., M.G., MK.1 (Empty)	01/SD 0172	1	ID(E) 927A
9	BAND, strengthening	01/CA 0579	1	ID(E) 927A
10	CASE	01/CA 0707	1	ID(E) 927A
11	STRAP, shoulder	01/SD 0176	1	ID(E) 927A
12 /	CASE, SPARE PARTS AND TOOLS, VICKERS, .303-IN., M.G., MK.1 (Filled) (a)	01/SD 0173	1	
13 /	CATCH, SPRING, NO.3	01/SD 0192	1	SAID 1171
14	HANDLE	01/CA 0580	1	SAID 1171/6
15	LATCH	01/CA 0581	1	SAID 1171/7
16	PLATE, bottom	01/CA 0582	1	SAID 1171/4
17	SCREW, brass, flat head, No.10 x 5/8	01/CA 1170	4	
18	SPRING, plate	01/CA 0583	1	SAID 1171/8
19	PLATE, latch	01/CA 0584	1	SAID 1171/5
20	SCREW, brass, flat head, No. 8 x 5/8	01/CA 1169	4	
21	PLATE, top	01/CA 0585	1	SAID 1171/3
22	SCREW, fixing	01/CA 0586	3	SAID 1171/9
23 /	CHISEL, VICKERS OR LEWIS, .303-IN., M.G., MK.3A	01/SD 0226	1	SAID 11230
24	HASP	01/SD 0228	2	SAID 1081
25	TUNSDUCKLE	01/SD 0229	2	SAID 1081
26	OR			
27	CHISEL, VICKERS OR LEWIS, .303-IN., M.G., MK.3B	01/SD 0227	1	ID(E) 1964/3 mts.
28	HASP	01/SD 0228	2	SAID 1081
29	TUNSDUCKLE	01/SD 0229	2	SAID 1081
30	CLIMAXON, VICKERS, .303-IN., M.G., CASED, MK.2	01/OS 351GA	1	ID(E) 3039
	CASE, MK.2 (with shoulder strap)	01/VE 0068	1	IDW(OS) 85

(a) for contents see page 33.



ACCESSORIES

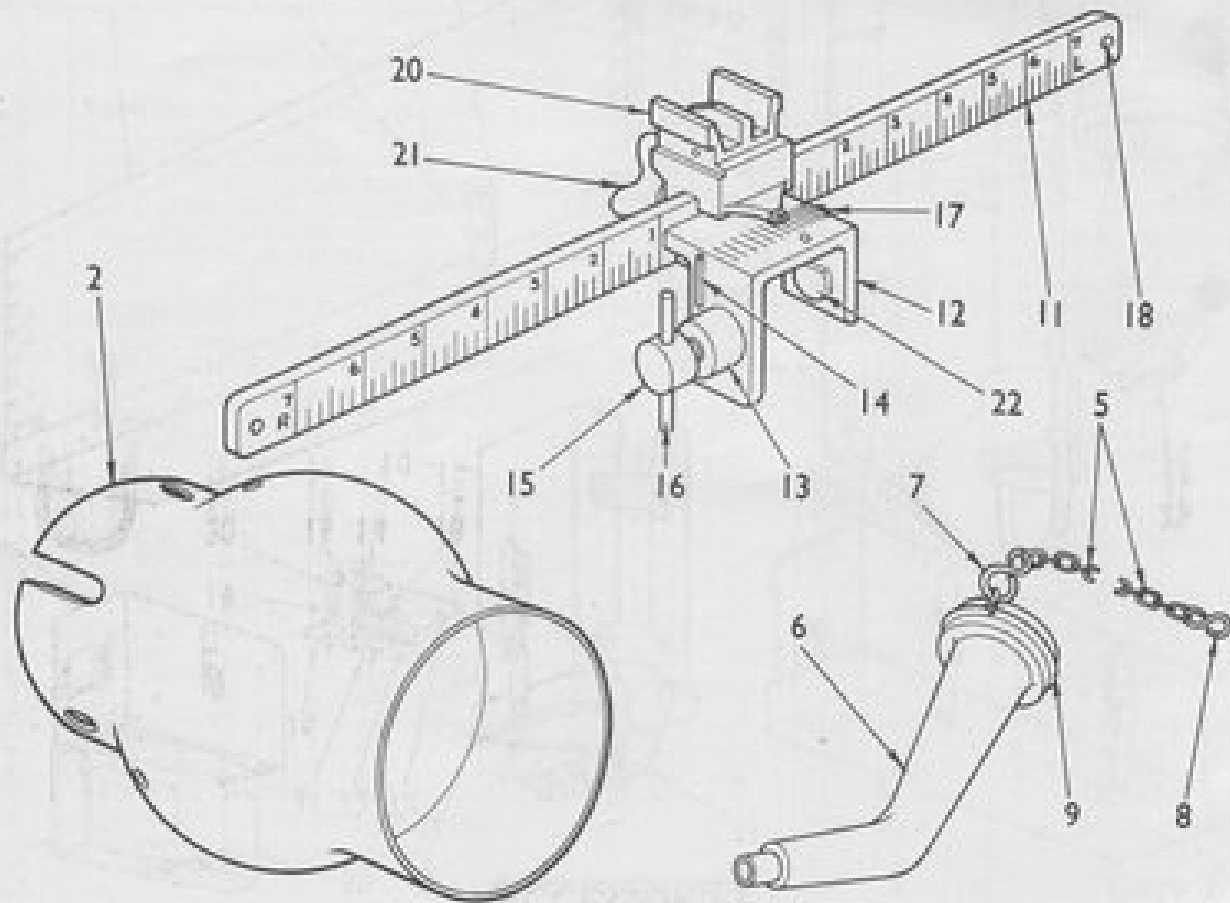
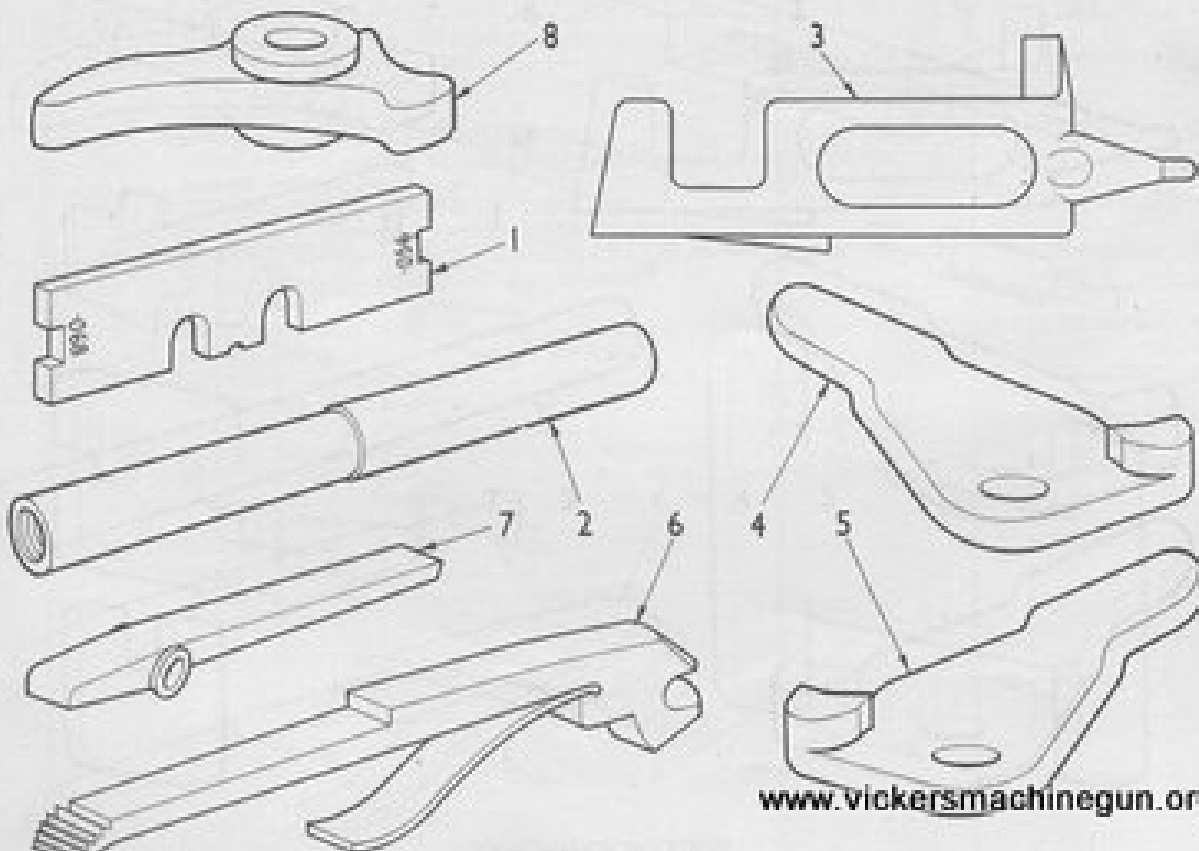


PLATE REF. NO	DESIGNATION	V.A.O.S. SECT. & PART OR CAT. NO	Nº OFF	DRAWING Nº
<u>Accessories (contd.) -</u>				
2	COVER, CASING, BAYNET, VICKERS, .303-IN., M.G. ... ..	C1/BD 7732	1	
1 /	ELIMINATOR, FLASH AND BRASS DEFLECTOR, VICKERS, .303-IN. M.G.,			
2	Mk.1 ... ..	C1/BD 6369	1	DD(R)2510
3 /	EQUIPMENT, SIGHT DIAL, M.G. ... ..	C1/BD 8987	1	
4 /	FILLER, M.G., Mk.1 ... ..	C1/BD 0260	1	SAID 20520
5	CHAIN, M.G., 11 links ... ..	C1/BD 0195	1	SAID 20520
6	FILLER ... ..	C1/CA 0596	1	SAID 20520
7	HOOK, "S" M.G. ... ..	C1/BD 2027	1	SAID 20520
8	HOOK, "S" special ... ..			Provide locally
9	RING, swivel ... ..	C1/BD 6160	1	SAID 20520
10 /	FORELIGHT, BAR, DEFLECTION, Mk.1 ... ..	C1/BD 0270	1	SAID 1702D
11	BAR, graduated, Mk.1 ... ..	C1/CA 0597	1	SAID 1702D
12	BRACKET, graduated bar ... ..	C1/CA 0598	1	SAID 1702D
13	BUSH ... ..	C1/CA 0599	1	SAID 1702D
14	PIN, retaining, screw, fixing, bar ... ..	C1/BD 0271	1	SAID 1702D
15	SCREW, fixing, bar ... ..	C1/BD 0272	1	SAID 1702D
16	CROSS-PIN ... ..	C1/CA 0600	1	SAID 1702D
17	SCREW, fixing, stud, spring ... ..	C1/BD 0273	1	SAID 1702D
18	SCREW, stop ... ..	C1/BD 0273	2	SAID 1702D
19 /	SIGHT, sliding ... ..	C1/BD 0275	1	SAID 1702D
20	SIGHT ... ..	C1/CA 0601	1	SAID 1702D
21	SCREW, wing, clamp ... ..	C1/BD 0274	1	SAID 1702D
22	STUD, spring ... ..	C1/BD 0276	1	SAID 1702D

PLATE REF NO	DESIGNATION	V.A.O.S SECT. & PART OR CAT. NO	Nº OFF	DRAWING Nº
AA	Accessories (contd)			
1	GUAGE, ARMOURERS, FIRING PIN PROTRUSION, NO.6, MK.1 ... Steel; Limits H, .068-in. L, .056-in.	G1/SM 181	1	G1A(GAUGES)1071
2	GUAGE, ARMOURERS, FLAG, .303-IN., NO.1, MK.1 ... Steel; For checking .303-in., barrel wear	G1/SM 74	1	G1A(GAUGES)995
3	GUAGE, ARMOURERS, SELECTED, NO.2, FIRING PIN, VICKERS, M.G. MK.1 ... Steel; For reference when checking existing components on assembly	G1/SM 203	1	G1A(GAUGES)1132
4	GUAGE, ARMOURERS, SELECTED, NO.2, LEFT EXTRACTOR LEVER, .303-IN., VICKERS, M.G., MK.1 ... Steel; For reference when checking existing components on assembly	G1/SM 202	1	G1A(GAUGES)1131
5	GUAGE, ARMOURERS, SELECTED, NO.2, RIGHT EXTRACTOR LEVER, .303-IN., VICKERS, M.G., MK.1 ... Steel; For reference when checking existing components on assembly	G1/SM 201	1	G1A(GAUGES)1130
6	GUAGE, ARMOURERS, SELECTED GEAR, .303-IN., VICKERS, M.G. MK.1 Steel; With springs; For reference when checking existing components on assembly	G1/SM 7A	1	G1A(GAUGES)1133
7	GUAGE, ARMOURERS, SELECTED TRIGGER, .303-IN., VICKERS, M.G. MK.1 ... Steel; For reference when checking existing components on assembly	G1/SM 205	1	G1A(GAUGES)1135
8	GUAGE, ARMOURERS, SELECTED TUMBLER, .303-IN., VICKERS, M.G. MK.1 ... Steel; For reference when checking existing components on assembly	G1/SM 20A	1	G1A(GAUGES)113A

ACCESSORIES

Plate AA



ACCESSORIES

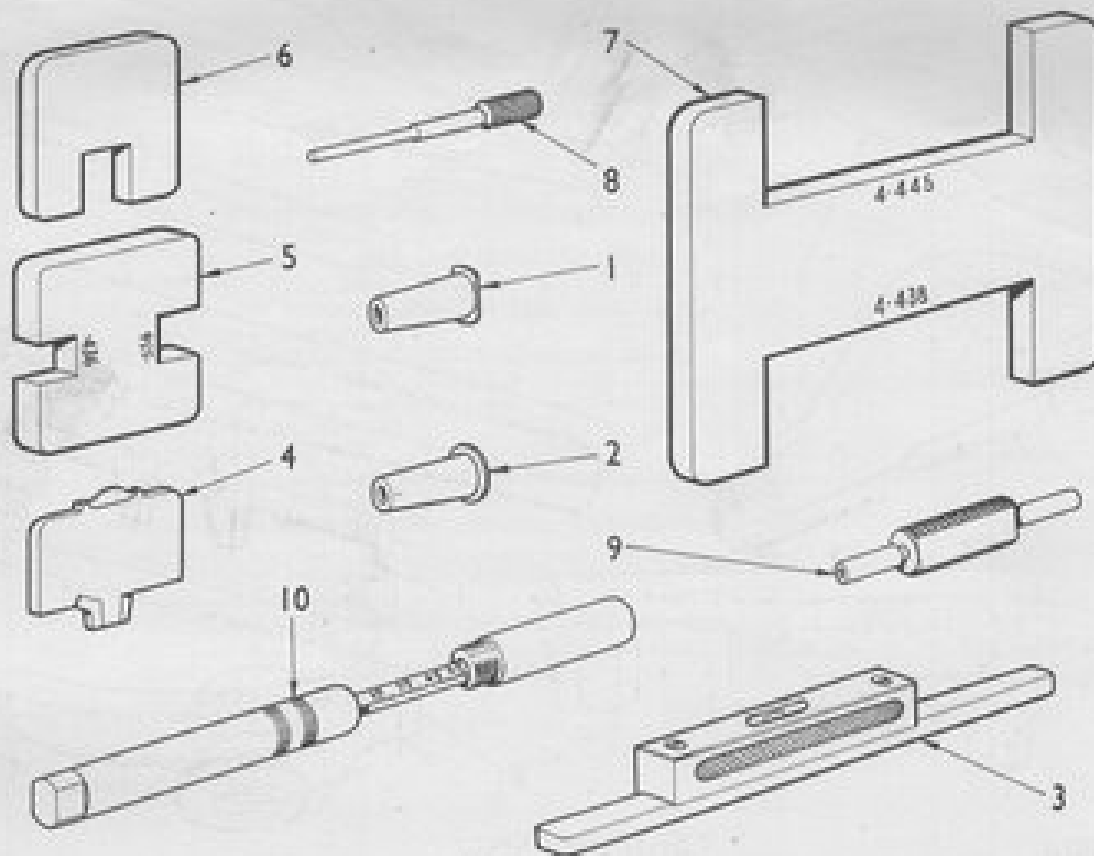
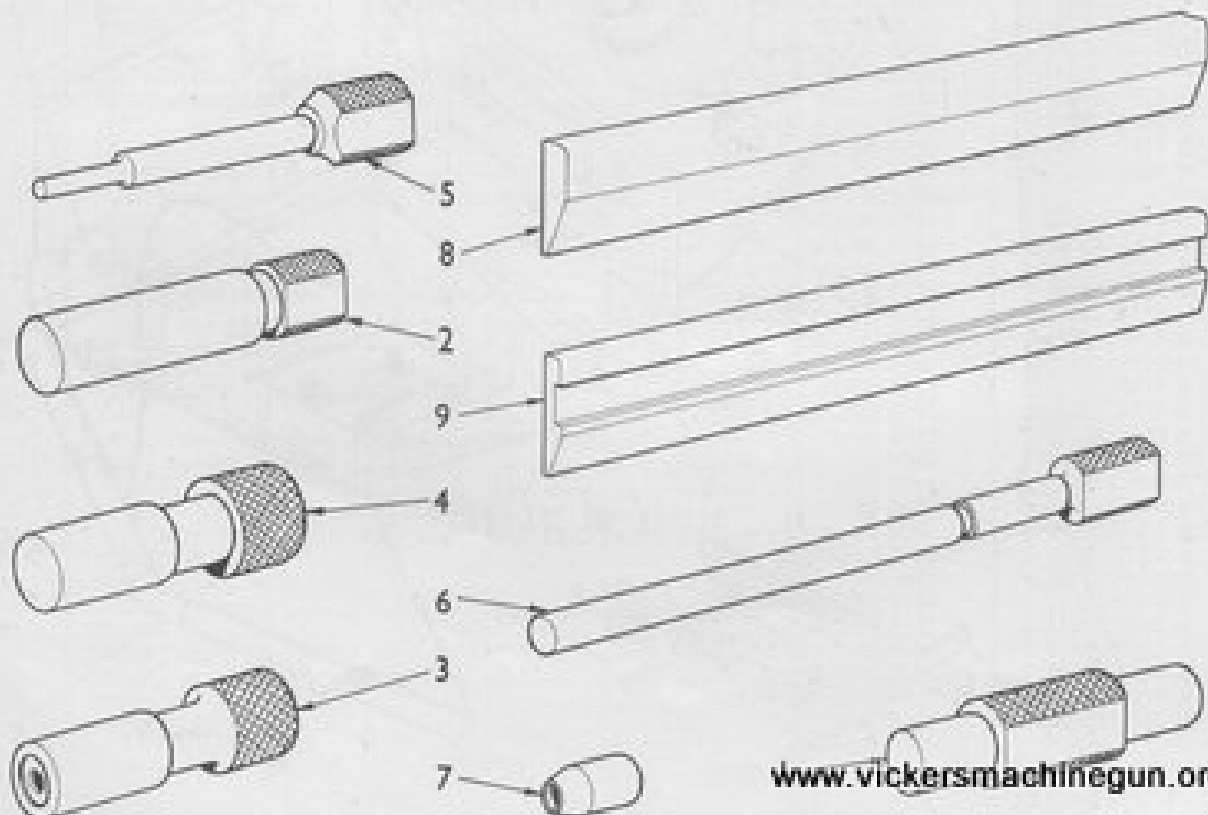


PLATE REF. NR	DESIGNATION	V.A.O.S. SECT. & PART OR CAT. NO	Nº OFF	DRAWING Nº
AB	Accessories (contd.)			
1	GAUGE, INSPECTORS, CARTRIDGE HEAD, .07-IN., MK.1 ... .. Steel; Reject; For extractor cartridge grooves	01/SM 182	1	CIA(GAUGES) 1072
2	GAUGE, INSPECTORS, HEADSPACE, .055-IN., MK.1 ... .. Steel; Also for checking cartridge seating of gib	01/SM 178	1	CIA(GAUGES) 1068
3	GAUGE, INSPECTORS, LEVEL, SPIRIT, MK.1. ... .. Steel; For checking alignment of barrel and breech casing	01/SM 172	1	CIA(GAUGES) 1062
4	GAUGE, INSPECTORS, PLATE, PROFILE AND DEPTH, MK.1 ... .. Steel; For checking barrel bullet lead	01/SM 177	1	CIA(GAUGES) 1067
5	GAUGE, INSPECTORS, PLATE, .556-IN. AND .436-IN., MK.1 ... .. Steel; Dia. of joint pins also between crosshead	01/SM 186	1	CIA(GAUGES) 1076
6	GAUGE, INSPECTORS, PLATE, .627-IN., MK.1 ... .. Steel; Reject; Dia. of barrel at muzzle bearing	01/SM 183	1	CIA(GAUGES) 1073
7	GAUGE, INSPECTORS, PLATE, 4.445-IN. AND 4.438-IN., MK.1 ... .. Steel; Overall length of assembled lock	01/SM 180	1	CIA(GAUGES) 1070
8	GAUGE, INSPECTORS, PLUG, .088-IN., MK.1 ... .. Steel; Reject; Dia. of firing pin hole	01/SM 164	1	CIA(GAUGES) 1054
9	GAUGE, INSPECTORS, PLUG, .305-IN. AND .253-IN., MK.1 ... .. Steel; Reject; Tumbler and trigger axis pin holes in lock casing	01/SM 179	1	CIA(GAUGES) 1069
10	GAUGE, INSPECTORS, PLUG, .305-IN., NO.2, MK.1 ... .. Steel; Consisting of plug and handle; For checking barrel wear, guns using Mk.88 ammunition	01/SM 75	1	CIA(GAUGES) 1001

PLATE REF. NO.	DESIGNATION	V.A.O.S. SECT. & PART OR CAT. NO.	N <sup>o</sup> OF P.	DRAWING N <sup>o</sup>
AC	<u>Accessories (contd.)</u>			
1	GAUGE, INSPECTORS, PLUG, .45-IN. AND .445-IN., MK.1 Steel;Reject;Dia. of elevating joint pin holes	C1/SM 185	1	CIA(GAUGES)1075
2	GAUGE, INSPECTORS, PLUG, .565-IN., MK.1 Steel;Reject;Dia. of crosshead joint pin holes	C1/SM 184	1	CIA(GAUGES)1074
3	GAUGE, INSPECTORS, PLUG, .567-IN., MK.1 Steel;Reject; Dia. of left crosshead joint pin	C1/SM 187	1	CIA(GAUGES)1077
4	GAUGE, INSPECTORS, PLUG, .64-IN., MK.1 Steel;Reject; muzzle attachment gland	C1/SM 175	1	CIA(GAUGES)1065
5	GAUGE, INSPECTORS, PLUG, COMPOUND, .167-IN., BY 3.060-IN. MK.1 Steel;Reject; Bush in Mk.2, D.F.S., barrels	C1/SM 176	1	CIA(GAUGES)1066
6	GAUGE, INSPECTORS, PLUG, COMPOUND, .306-IN. AND .3007-IN., MK.1 Steel;alignment of muzzle attachment with bore of barrel	C1/SM 292	1	CIA(GAUGES)1151
7	GAUGE, INSPECTORS, SLEEVE, PLUG, MK.1 Steel;For use with gauge inspectors, plug, compound, .306-in. and .3007-in., Mk.1	C1/SM 174	1	CIA(GAUGES)1064
8	GAUGE, INSPECTORS, STRAIGHTEDGE, MK.2 Steel	C1/SM 117	1	CIA(GAUGES)1000
9	GAUGE, INSPECTORS, STRAIGHTEDGE, MK.1 Steel	C1/SM 290	1	CIA(GAUGES)1144

## ACCESSORIES

Plate AC



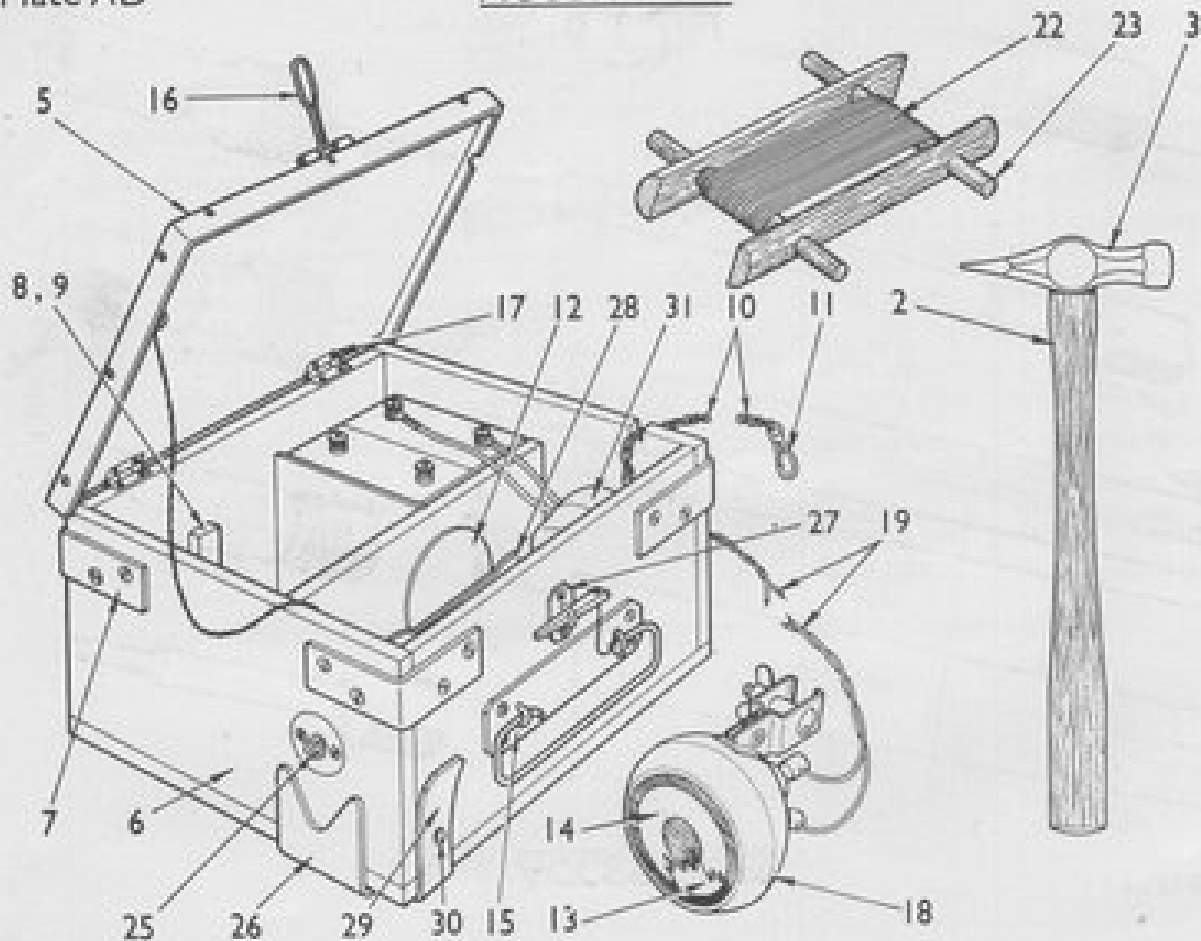
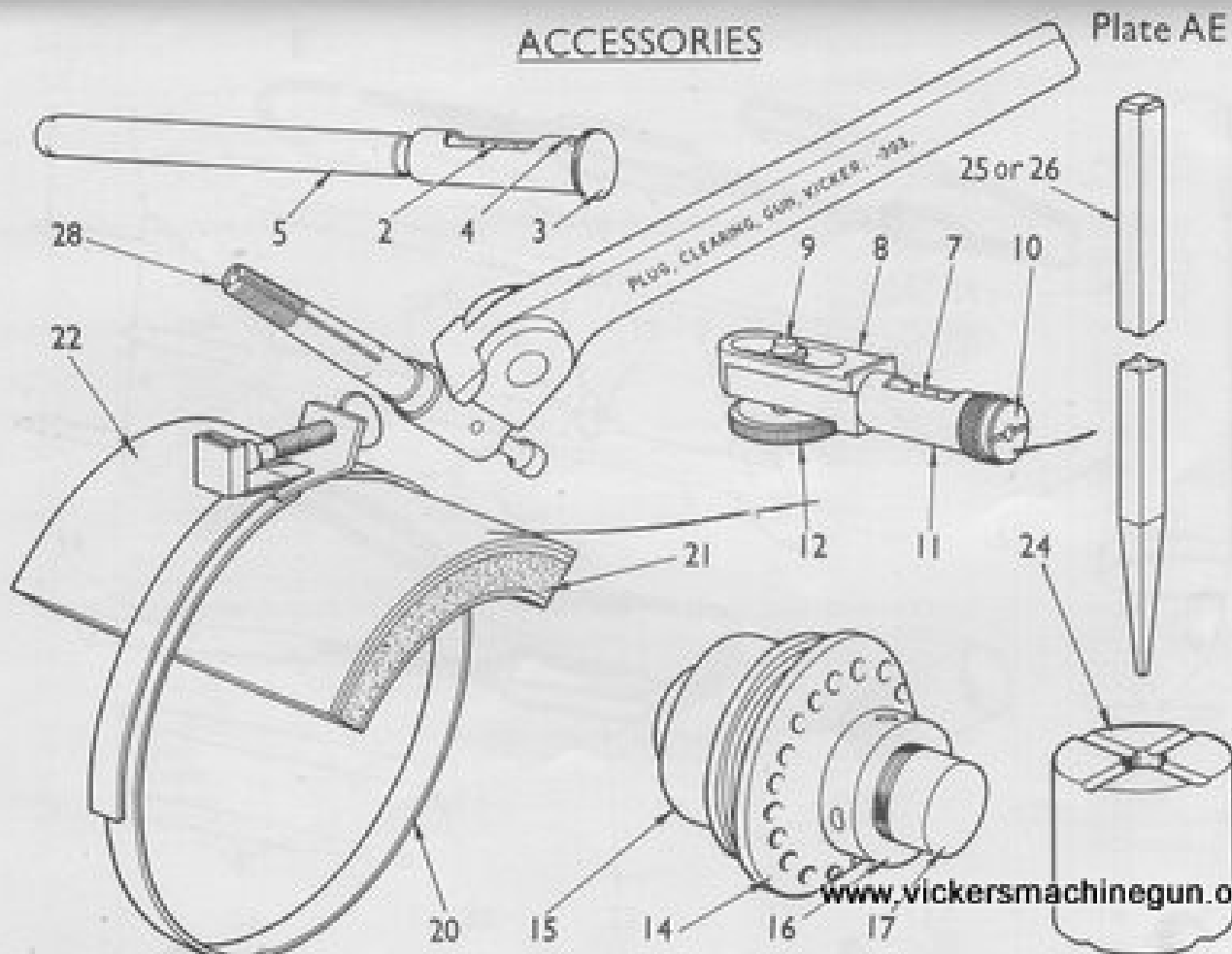


PLATE REF. NO	DESIGNATION	V.A.O.S. SECT. & PART OR CAT. NO	Nº OFF	DRAWING Nº
AD	ACCESSORIES (contd.) -			
1 ✓	HAMMER, M.G., MK.1	CL/BD 2000	1	S.A.I.D.1399A
2	HANDLE	CL/BD 8650	1	S.A.I.D.1399A
3	HEAD	CL/BD 8651	1	S.A.I.D.1399A
4 ✓	LAMP, AIMING, M.G., MK.3	CL/BD 2059	1	ID(L)7078 B
5	LID, strengthening lid	CL/BD 8756	1	ID(L)7078 B
6	BOX	CL/BD 8758	1	ID(L)7078 B
7	BRACKET, corner	CL/BD 8759	1	ID(L)7078 B
8	BRACKET, lamp	CL/BD 8760	1	ID(L)7078 B
9	RIVET, copper 1/8 x 7/8	LW6/RTS/1648A	2	
10	CHAIN, 30 inches	CL/BD 8762	1	ID(L)7078 B
11	HOOK	CL/BD 8744	1	ID(L)7078 B
12	DISC, amber	CL/BD 2060	1	ID(L)7078 B
13	DISC, paper, white, semi-opaque	CL/BD 8758	1	ID(L)7078 B
14	GLASS	CL/BD 8763	1	ID(L)7078 B
15	HANDLE	CL/BD 8741	1	ID(L)7078 B
16	HASP	CL/BD 8742	1	ID(L)7078 B
17	HINGE	CL/BD 8743	2	ID(L)7078 B
18	LAMP	CL/BD 8766	1	ID(L)7078 B
19	LEAD, flexible, double, 3/16-in., free length	CL/BD 8730	1	ID(L)7078 B
20 ✓	LINE, switch, 3 yds.	CL/BD 2062	1	ID(L)7078 B
21 ✓	HOOK	CL/BD 8744	1	ID(L)7078 B
22	LINE	CL/BD 0750	1	ID(L)7078 B
23	WIRE	CL/BD 8751	1	ID(L)7078 B
24 ✓	REFLECTOR	CL/BD 8745	1	ID(L)7078 B
25	KNOB, switch, with stop	CL/BD 8739	1	ID(L)7078 B
26	SPIKE, ground	CL/BD 8746	1	ID(L)7078 B
27	STAPLE	CL/BD 8747	1	ID(L)7078 B
28	STRAP, securing, amber disc	CL/BD 8749	1	ID(L)7078 B
29	STRAP, securing, ground spike	CL/BD 8748	1	ID(L)7078 B
30	STUD, strap	CL/BD 8750	1	ID(L)7078 B
31	SWITCH	CL/BD 2063	1	ID(L)7078 B



PLATE REF. NO	DESIGNATION	V.A.O.S. SECT. & PART OR CAT. NO	NO OFF	DRAWING NO
AE	Accessories (contd.)			
1	LEVEL, CHECKING, M.G., DIAL SIGHT, MK.1	01/CM 14 A	1	DD(E) 1918
2	MUZZLE, SPIRIT, GLASS, L, MK.1	V6/PL 1903	1	DIR 1326/11
3	CAP	01/CM 199	1	DD(E) 1918
4	FIN, taper, steel, 5/64 x 3/4	1V6/AM 5444	1	Shorten to suit
5	PLUG	01/CM 200	1	DD(E) 1918
6	LEVEL, CHECKING, SIGHT DIAL, M.G., MK.1	01/CM 18 3A	1	DD(E) 1855
7	MUZZLE, SPIRIT, GLASS, L, MK.1	V6/PL 1903	1	DIR 1326/11
8	HOUSING	01/CM 196	1	DD(E) 1855/3
9	FINISH	01/CM 195	1	DD(E) 1855/2
10	PLUG	01/CM 198	1	DD(E) 1855/6
11	PROTECTOR	01/CM 197	1	DD(E) 1855/5
12	SCREW	01/CM 194	1	DD(E) 1855/1
13	MUZZLE-ATTACHMENT, BLANK, MK.1	01/SD 7897	1	DD(E) 113
14	COKE	01/SD 0648	1	DD(E) 113/2
15	CUP, MK.1	01/SD 0665	1	DD(E) 113/1
16	NUT, adjusting	01/SD 0772	1	DD(E) 113/3
17	SCREW, adjusting, muzzle-attachment blank, MK.1, No.1	01/SD 0902	1	DD(E) 113/4
	OR			
18	SCREW, adjusting, muzzle-attachment blank, MK.1 <sup>B</sup> , No.2	01/SD 0903	1	
19	PATCH, FIRST AID, VICKERS, M.G., MK.1	01/SD 2476	1	DD(E) 1983
20	CLIP	01/SD 2479	2	DD(E) 1983
21	PAD	01/SD 2477	1	DD(E) 1983
22	PLATE	01/SD 2478	1	DD(E) 1983
23	PSG, NIGHT LINE, M.G., MK.1	01/SD 2480	1	DD(E) 1402
24	COLLAR	01/SD 2481	1	DD(E) 1402
25	PSG, 9-IN.	01/SD 2482	1	DD(E) 1402
26	PSG, 18-IN.	01/SD 2483	2	DD(E) 1402
27	FLARES, SIDE CUTTING, 6-IN.	F/PA 3518	1	
28	PLUG, CLEARING, .303-IN., M.G., MK.1	01/SD 2503	1	SAID 1256
29	PLUG, TEST, ADAPTER, CHECKER, VICKERS, .303-IN., M.G., MK.1	01/SD 2507	1	SAID 1776A



# ACCESSORIES

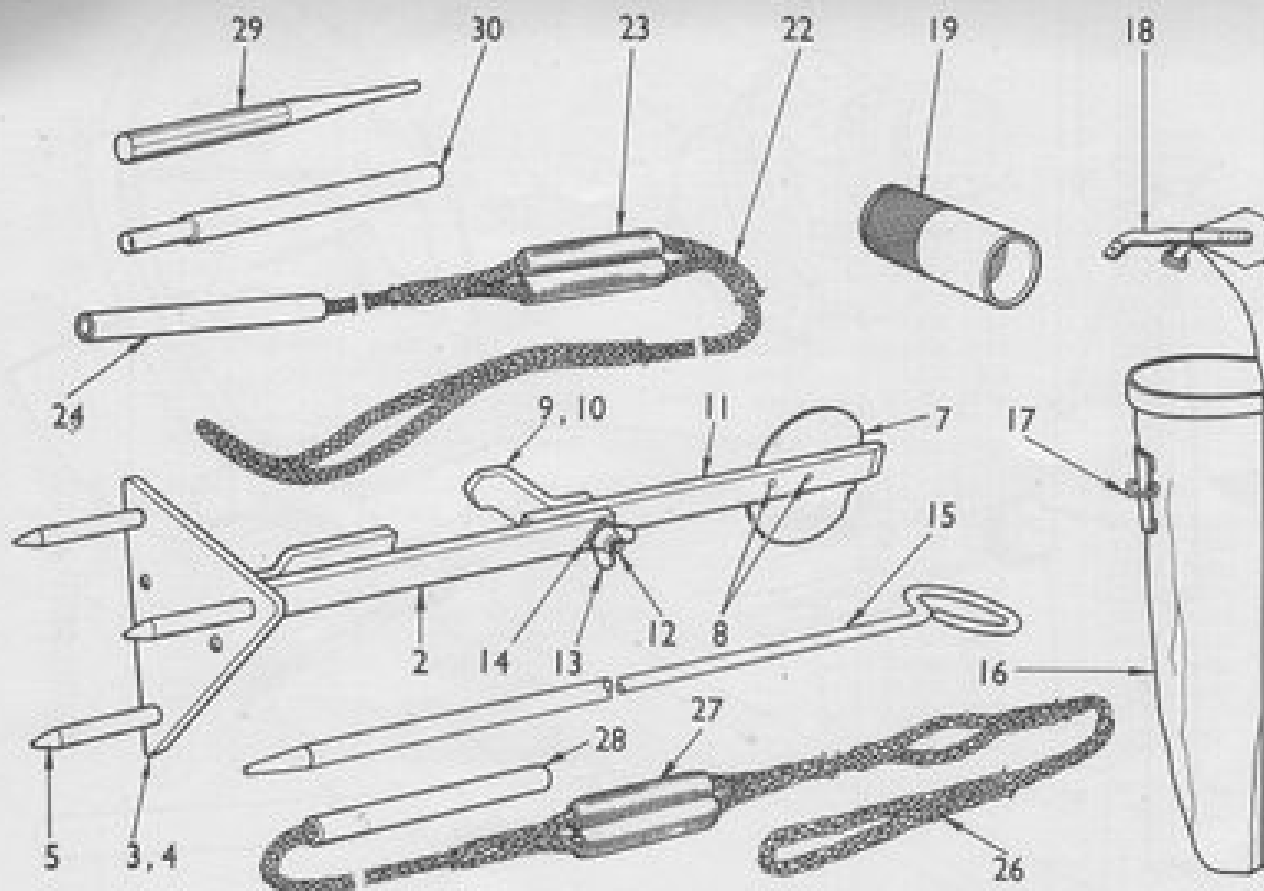
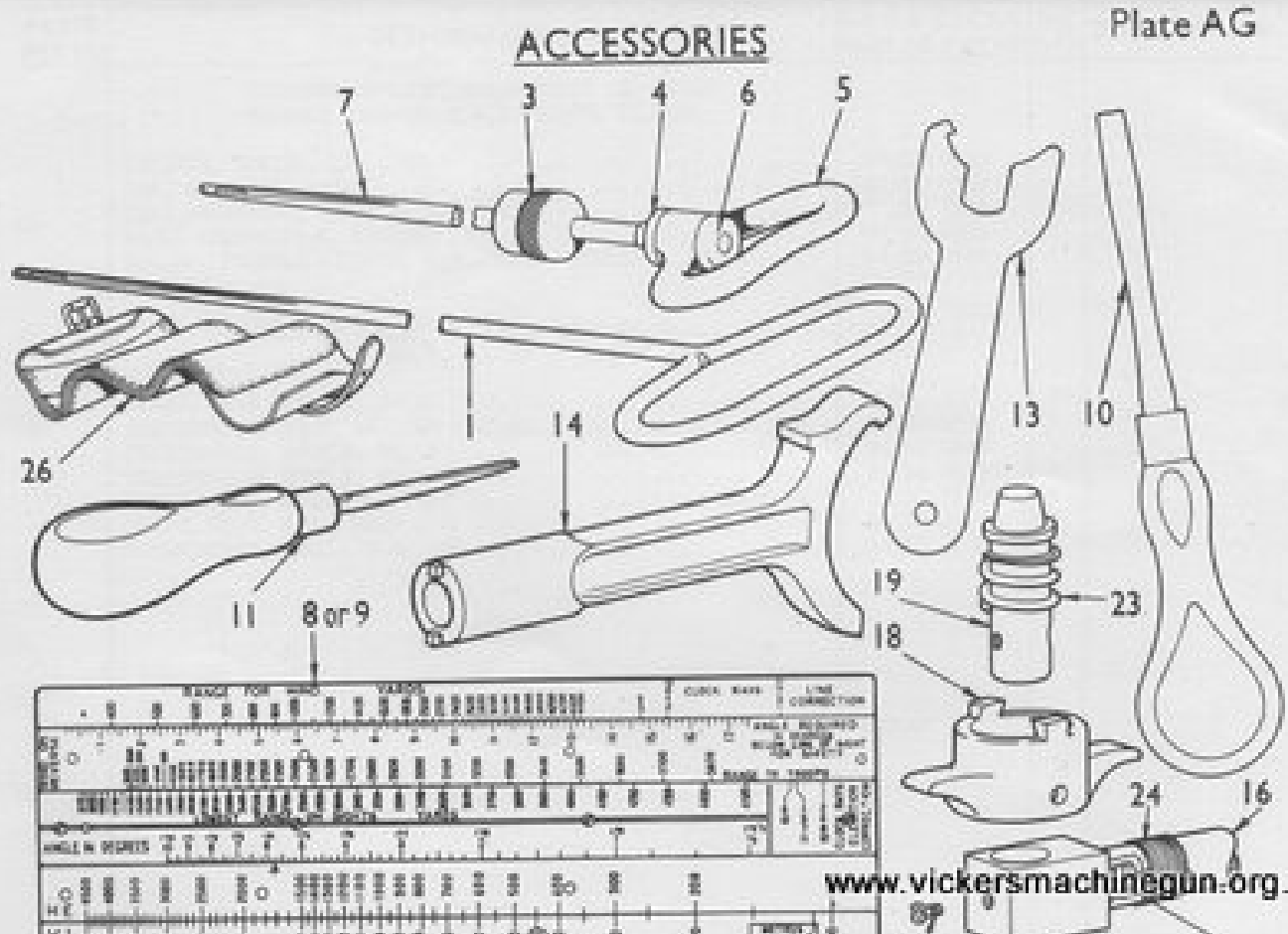


PLATE REF. NO.	DESIGNATION	V.A.O.S. SECT. & PART OR CAT. NO.	NO. OF P.	DRAWING NO.
	Accessories (contd)			
1	POST, ADJING, M.G., MK. 3	C1/BD2522	1	DD(X)1835
2	STEM, lower	C1/GA0590	1	DD(X)1835
3	PLATE, base	C1/GA0588	1	DD(X)1835
4	RIVET, steel, mild, snap head 3/16 x 3/4	LN6/MT5/14795	4	
5	SPRING	C1/GA0589	3	DD(X)1835
6	STEM, upper	C1/GA0591	1	DD(X)1835
7	DISC	C1/BD2523	1	DD(X)1835
8	SCREW, B.A., B.S., roundhead, No. 2 x 5/16	C1/BD2524	2	DD(X)1835
9	LEG	C1/GA0587	1	DD(X)1835
10	RIVET, steel, mild, snap head 3/16 x 3/4	LN6/MT5/14795	2	
11	STEM	C1/GA0645	1	DD(X)1835
12	STEM	C1/GA0592	1	DD(X)1835
13	WASHER, wing	DD/BD13511	1	
14	WASHER, spring, D.C., 1/4	LN6/MT5/9649	1	
15	POST, ZERO, M.G., MK. 1	C1/BD2516	1	SAID1934
16	POUCH, FORESIGHT, BAR, DEFLECTION, MK. 2	C1/BD2521	1	DD(X)778
17	FASTENER, quick release, female part	C1/BD2019	1	DD(X)778
18	FASTENER, quick release, male part	C1/BD2020	1	DD(X)778
19	PROTRACTOR, ANGLES, VICKERS, 303-IN., M.G., MK. 2	C1/BD3395	1	DD(X)2892
20	PROTRACTOR, REMICUT, MK. 1	C1/BD2527	1	
21	PULLTHROUGH, DOUBLE, MK. 1A	DD/BA0515	1	SAID257
22	GAUGE	DD/BD0519	1	SAID257
23	GAUGE	DD/BD0521	1	SAID257
24	WEIGHT	DD/BD0522	1	SAID257
	OR			
25	PULLTHROUGH, SINGLE, MK. 1A	DD/BA0517	1	SAID257
26	GAUGE	DD/BD0520	1	SAID257
27	GAUGE	DD/BD0521	1	SAID257
28	WEIGHT	DD/BD0522	1	SAID257
29	PUNCH, NO. 3, M.G., MK. 1	C1/BD2530	1	SAID1403A
30	PUNCH, NO. 5, M.G., MK. 1	C1/BD2532	1	SAID1225B

PLATE REF. NO	DESIGNATION	V.A.O.S SECT. & PART OR CAT. NO	NO OFF	DRAWING NO
AG	<u>Accessories (contd.)</u>			
1	ROD, CLEANING, .303-IN., M.G., MK.5 ... ..	C1/BD 9225	1	DD(E)2696
2 /	OR			
3	ROD, CLEANING, .303-IN., M.G., MK.2A ... ..	C1/BD 2552	1	AID 10754
4	BUSH ... ..	C1/BD 2557	1	AID 10754/2
5	COLLAR ... ..	C1/BD 9209	1	AID 10754/3
6	HANDLE ... ..	C1/BD 9214	1	AID 10754/4
7	NUT ... ..	C1/BD 9216	1	AID 10754/5
8	ROD ... ..	C1/BD 0602	1	AID 10754/1
9	OR			
10	WIRE, SLIDE, M.G., MK.4 ... ..	C1/BD 2565	1	DD(C)579
11	OR			
12	WIRE, SLIDE, M.G., MK.4 ... ..	C1/CA 0865	1	DD(C)578
13	SCREWDRIVER, LARGE, M.G., MK.1 ... ..	C1/BD 2573	1	SAID 14028
14	SCREWDRIVER, SMALL, M.G., MK.1 ... ..	C1/BD 2574	1	SAID 14028
15	SPANNER, WHEELS-ATTACHMENT, BLANK, VICKERS, M.G., MK.1 ... ..	C1/BD 2577	1	SAID 2212A
16	TOOL, COMBINATION, VICKERS, .303-IN., M.G., MK.2 ... ..	C1/BD 2641	1	DD(E)113/5
17	TUBING, CONDENSER, STEAM, VICKERS, .303-IN. M.G., MK.3 ... ..	C1/BD 2654	1	SAID 1679
18	HOSE, rubber, 4 ply (steam quality) 1/8-in. x 6-ft. ... ..	C1/BD 2672	1	DD(E)1208
19	JOINT, ELBOW, QUICK RELEASE, Mk.3 ... ..	C1/BD 2673	1	DD(E)1208
20	CAP ... ..	C1/BD 2674	1	DD(E)1208
21	PLUG ... ..	C1/CA 0602	1	DD(E)1208
22	SCREW, fixing, plug ... ..	C1/CA 0603	1	DD(E)1208
23	SOCKET ... ..	C1/BD 0907	1	DD(E)1208
24	SPIGOT ... ..	C1/CA 0604	1	DD(E)1208
25	SPRING, cap ... ..	C1/BD 2675	1	DD(E)1208
26	WIRE, copper, soft, No.18 S.W.G., .043-in. x 30-in. ... ..	C1/CA 0605	1	DD(E)1208
27	OR			
28	TUBING, CONDENSER, STEAM, VICKERS, .303-IN., M.G., MK.1 "B" ... ..	C1/BD 2671	1	SAID 1931B
29	WALLET, VICKERS, .303-IN., M.G., MK.1 (empty) ... ..	C1/BD 2690	1	SAID 2079
30	OR			
31	WALLET, VICKERS, .303-IN., M.G., MK.1 (filled) (a) ... ..	C1/BD 2691	1	

(a) For contents, see page 33



THE VICKERS MACHINE TOOL COMPANY  
 100, NEWBURY ROAD, BIRMINGHAM, ENGLAND  
 TELEGRAMS: "VICKERS" BIRMINGHAM  
 TELEPHONE: 221, 222, 223, 224, 225, 226, 227, 228, 229, 230, 231, 232, 233, 234, 235, 236, 237, 238, 239, 240, 241, 242, 243, 244, 245, 246, 247, 248, 249, 250, 251, 252, 253, 254, 255, 256, 257, 258, 259, 260, 261, 262, 263, 264, 265, 266, 267, 268, 269, 270, 271, 272, 273, 274, 275, 276, 277, 278, 279, 280, 281, 282, 283, 284, 285, 286, 287, 288, 289, 290, 291, 292, 293, 294, 295, 296, 297, 298, 299, 300, 301, 302, 303, 304, 305, 306, 307, 308, 309, 310, 311, 312, 313, 314, 315, 316, 317, 318, 319, 320, 321, 322, 323, 324, 325, 326, 327, 328, 329, 330, 331, 332, 333, 334, 335, 336, 337, 338, 339, 340, 341, 342, 343, 344, 345, 346, 347, 348, 349, 350, 351, 352, 353, 354, 355, 356, 357, 358, 359, 360, 361, 362, 363, 364, 365, 366, 367, 368, 369, 370, 371, 372, 373, 374, 375, 376, 377, 378, 379, 380, 381, 382, 383, 384, 385, 386, 387, 388, 389, 390, 391, 392, 393, 394, 395, 396, 397, 398, 399, 400, 401, 402, 403, 404, 405, 406, 407, 408, 409, 410, 411, 412, 413, 414, 415, 416, 417, 418, 419, 420, 421, 422, 423, 424, 425, 426, 427, 428, 429, 430, 431, 432, 433, 434, 435, 436, 437, 438, 439, 440, 441, 442, 443, 444, 445, 446, 447, 448, 449, 450, 451, 452, 453, 454, 455, 456, 457, 458, 459, 460, 461, 462, 463, 464, 465, 466, 467, 468, 469, 470, 471, 472, 473, 474, 475, 476, 477, 478, 479, 480, 481, 482, 483, 484, 485, 486, 487, 488, 489, 490, 491, 492, 493, 494, 495, 496, 497, 498, 499, 500, 501, 502, 503, 504, 505, 506, 507, 508, 509, 510, 511, 512, 513, 514, 515, 516, 517, 518, 519, 520, 521, 522, 523, 524, 525, 526, 527, 528, 529, 530, 531, 532, 533, 534, 535, 536, 537, 538, 539, 540, 541, 542, 543, 544, 545, 546, 547, 548, 549, 550, 551, 552, 553, 554, 555, 556, 557, 558, 559, 560, 561, 562, 563, 564, 565, 566, 567, 568, 569, 570, 571, 572, 573, 574, 575, 576, 577, 578, 579, 580, 581, 582, 583, 584, 585, 586, 587, 588, 589, 590, 591, 592, 593, 594, 595, 596, 597, 598, 599, 600, 601, 602, 603, 604, 605, 606, 607, 608, 609, 610, 611, 612, 613, 614, 615, 616, 617, 618, 619, 620, 621, 622, 623, 624, 625, 626, 627, 628, 629, 630, 631, 632, 633, 634, 635, 636, 637, 638, 639, 640, 641, 642, 643, 644, 645, 646, 647, 648, 649, 650, 651, 652, 653, 654, 655, 656, 657, 658, 659, 660, 661, 662, 663, 664, 665, 666, 667, 668, 669, 670, 671, 672, 673, 674, 675, 676, 677, 678, 679, 680, 681, 682, 683, 684, 685, 686, 687, 688, 689, 690, 691, 692, 693, 694, 695, 696, 697, 698, 699, 700, 701, 702, 703, 704, 705, 706, 707, 708, 709, 710, 711, 712, 713, 714, 715, 716, 717, 718, 719, 720, 721, 722, 723, 724, 725, 726, 727, 728, 729, 730, 731, 732, 733, 734, 735, 736, 737, 738, 739, 740, 741, 742, 743, 744, 745, 746, 747, 748, 749, 750, 751, 752, 753, 754, 755, 756, 757, 758, 759, 760, 761, 762, 763, 764, 765, 766, 767, 768, 769, 770, 771, 772, 773, 774, 775, 776, 777, 778, 779, 780, 781, 782, 783, 784, 785, 786, 787, 788, 789, 790, 791, 792, 793, 794, 795, 796, 797, 798, 799, 800, 801, 802, 803, 804, 805, 806, 807, 808, 809, 810, 811, 812, 813, 814, 815, 816, 817, 818, 819, 820, 821, 822, 823, 824, 825, 826, 827, 828, 829, 830, 831, 832, 833, 834, 835, 836, 837, 838, 839, 840, 841, 842, 843, 844, 845, 846, 847, 848, 849, 850, 851, 852, 853, 854, 855, 856, 857, 858, 859, 860, 861, 862, 863, 864, 865, 866, 867, 868, 869, 870, 871, 872, 873, 874, 875, 876, 877, 878, 879, 880, 881, 882, 883, 884, 885, 886, 887, 888, 889, 890, 891, 892, 893, 894, 895, 896, 897, 898, 899, 900, 901, 902, 903, 904, 905, 906, 907, 908, 909, 910, 911, 912, 913, 914, 915, 916, 917, 918, 919, 920, 921, 922, 923, 924, 925, 926, 927, 928, 929, 930, 931, 932, 933, 934, 935, 936, 937, 938, 939, 940, 941, 942, 943, 944, 945, 946, 947, 948, 949, 950, 951, 952, 953, 954, 955, 956, 957, 958, 959, 960, 961, 962, 963, 964, 965, 966, 967, 968, 969, 970, 971, 972, 973, 974, 975, 976, 977, 978, 979, 980, 981, 982, 983, 984, 985, 986, 987, 988, 989, 990, 991, 992, 993, 994, 995, 996, 997, 998, 999, 1000



PLATE REF. NO.	DESIGNATION	V.A.O.S. SECT. & PART OR CAT. NO.	NO. OFF.	DRAWING NO.
	CONTENTS OF CASE, SPARE PARTS AND TOOLS VICKERS .303-IN. M.G., MK.1 <sup>mm</sup> , FILLED.			
	BALANCE, SPRING, M.G., MK.1	01/SD 0035	1	
	CAN, OIL, M.G., MK.1	01/SD 0133	1	
	PLUG, CLEARING, .303-IN. M.G., MK.1	01/SD 2503	1	
	TOOL, COMBINATION, VICKERS .303-IN. M.G., MK.2	01/SD 2654	1	
	WALLET, VICKERS .303-IN. M.G., MK.1, FILLED	01/SD 2671	1	
	CONTENTS OF WALLET, VICKERS, .303-IN. M.G., MK.1, FILLED			
	FLIER, SIDE CUTTING, 6-IN.	7/PA 3518	1	
	PROTECTOR, MIDDLE, VICKERS .303-IN., M.G., MK.2	01/SD 9395	1	
	FULLER, DOUBLE, MK.1A	B1/BA 0515	1	
	FULLER, SINGLE, MK.1A	B1/BA 0517	1	
	PUNCH, NO.3, M.G., MK.1	01/SD 2530	1	
	PUNCH, NO.5, M.G., MK.1	01/SD 2532	1	
	SCREWDRIVER, SMALL, M.G., MK.1	01/SD 2574	1	

PART NUMBER	PAGE	PART NUMBER	PAGE	PART NUMBER	PAGE
BD 0005	21	BD 0605	21	BD 0750	28
BD 0008	23	BD 0610	5	BD 0751	9
BD 0055	21,32	BD 0620	1	BD 0753	1
BD 0093	21	BD 0624	1	BD 0755	9
BD 0095	21	BD 0626	2	BD 0760	6
BD 0099	21	BD 0628	6	BD 0765	5
BD 0101	21	BD 0629	10	BD 0768	7
BD 0102	9,22	BD 0635	10	BD 0770	8
BD 0132	22	BD 0636	7	BD 0772	29
BD 0133	22,32	BD 0637	3	BD 0774	7
BD 0136	22	BD 0638	9	BD 0790	7
BD 0160	23	BD 0639	10	BD 0795	1
BD 0165	23	BD 0645	11	BD 0797	1
BD 0168	23	BD 0646	7	BD 0799	1
BD 0169	23	BD 0647	7	BD 0803	10
BD 0172	23	BD 0648	29	BD 0804	1
BD 0173	23	BD 0650	4	BD 0805	1
BD 0176	23	BD 0651	4	BD 0806	9
BD 0192	23	BD 0652	6,31	BD 0807	5
BD 0195	4,7,22,24	BD 0653	10	BD 0808	1
BD 0226	23	BD 0660	7	BD 0809	10
BD 0227	23	BD 0662	9	BD 0810	3
BD 0228	23	BD 0665	29	BD 0811	8
BD 0229	23	BD 0680	7	BD 0813	6
BD 0260	24	BD 0691	6	BD 0815	4
BD 0261	22	BD 0700	3	BD 0816	8
BD 0262	22	BD 0712	6	BD 0817	8
BD 0270	24	BD 0715	7	BD 0823	7
BD 0271	24	BD 0720	9	BD 0824	5
BD 0272	24	BD 0730	8	BD 0825	9
BD 0273	24	BD 0735	4	BD 0828	9
BD 0274	24	BD 0740	1	BD 0830	6
BD 0275	24	BD 0741	5	BD 0835	1
BD 0276	24	BD 0742	3	BD 0836	7
		BD 0746	6	BD 0841	9
BD 0600	1	BD 0748	6	BD 0842	6

PART NUMBER	PAGE	PART NUMBER	PAGE	PART NUMBER	PAGE
BD 0844	6	BD 0949	6	BD 2243	12
BD 0860	5	BD 0951	10	BD 2251	14
BD 0862	10	BD 0952	5	BD 2256	13
BD 0864	8	BD 0953	9	BD 2260	14
BD 0865	8	BD 0954	6	BD 2261	13
BD 0871	4	BD 0955	10	BD 2265	14
BD 0872	3	BD 0956	8	BD 2266	13
BD 0873	4	BD 0957	8	BD 2267	15
BD 0875	3	BD 0958	5	BD 2268	12
BD 0876	10	BD 0959	1	BD 2269	13
BD 0880	4	BD 0960	5	BD 2270	13
BD 0882	9	BD 0970	10	BD 2275	13
BD 0884	2	BD 0972	2,7	BD 2277	16
BD 0885	2,3	BD 0973	5	BD 2281	13
BD 0950	8	BD 0983	6	BD 2284	13
BD 0900	11	BD 0985	11	BD 2286	13
BD 0901	10	BD 0987	6	BD 2290	13
BD 0902	29	BD 0993	11	BD 2295	14
BD 0903	29	BD 0994	11	BD 2298	14
BD 0905	10	BD 0996	10	BD 2301	14
BD 0906	10			BD 2302	13
BD 0907	10,20,31	BD 2000	28	BD 2310	14
BD 0908	2	BD 2014	9,22	BD 2315	16
BD 0909	10	BD 2027	4,7,22,24	BD 2316	13
BD 0920	6	BD 2039	28	BD 2317	14
BD 0922	10	BD 2060	28	BD 2318	16
BD 0924	10	BD 2062	28	BD 2320	14
BD 0928	10	BD 2063	28	BD 2321	14
BD 0930	1	BD 2226	12	BD 2322	14
BD 0931	11	BD 2227	12	BD 2330	16
BD 0932	11	BD 2228	12	BD 2331	14
BD 0936	10	BD 2229	16	BD 2335	16
BD 0940	1	BD 2231	15		
BD 0943	5	BD 2236	12	BD 2338	12
BD 0944	11	BD 2238	12	BD 2339	16

PART NUMBER	PAGE	PART NUMBER	PAGE	PART NUMBER	PAGE
BD 2341	16	BD 2625	20	BD 7688	2
BD 2351	13	BD 2627	20	BD 7689	2
		BD 2628	20	BD 7690	2
BD 2476	29	BD 2629	20	BD 7691	2
BD 2477	29	BD 2641	31	BD 7700	6
BD 2478	29	BD 2654	31,32	BD 7724	2
BD 2479	29	BD 2671	31	BD 7732	24
BD 2480	13,29	BD 2672	31	BD 7740	3
BD 2481	29	BD 2673	31	BD 7789	1
BD 2482	29	BD 2674	31	BD 7801	3
BD 2483	29	BD 2675	31	BD 7842	4
		BD 2690	31	BD 7843	4
BD 2503	29,32	BD 2691	31,32	BD 7844	4
BD 2507	29	BD 2696	9,22	BD 7848	11
BD 2516	30	BD 4197	9,22	BD 7852	10
BD 2521	30	BD 4370	2	BD 7856	3
BD 2522	30	BD 6033	21	BD 7868	5
BD 2523	30	BD 6034	21	BD 7897	29
BD 2524	30	BD 6069	23	BD 7901	1
BD 2527	30	BD 6082	21	BD 7902	1
BD 2530	30,32	BD 6093	21	BD 7906	9
BD 2532	30,32	BD 6118	9,22	BD 7908	7
BD 2532	31	BD 6202	23	BD 7913	4
BD 2557	31	BD 6355	22	BD 7921	6
BD 2565	31	BD 6360	22,24	BD 7924	8
BD 2573	31	BD 6362	22	BD 7932	3
BD 2574	31,32	BD 6369	24	BD 7966	2
BD 2577	31	BD 6447	17	BD 7967	1
				BD 7970	2
BD 2613	20	BD 7630	9	BD 7971	2
BD 2614	20	BD 7633	1	BD 7993	3
BD 2615	20	BD 7636	9	BD 7996	3
BD 2616	20	BD 7664	2	BD 8003	8
BD 2617	20	BD 7665	2	BD 8007	8
BD 2623	20	BD 7669	2	BD 8014	2
BD 2624	20	BD 7673	4		

PART NUMBER	PAGE	PART NUMBER	PAGE	PART NUMBER	PAGE
BD 8013	2	BD 8738	28	BD 9110	13
BD 8048	11	BD 8759	28	BD 9112	13
BD 8051	11	BD 8760	28	BD 9116	16
BD 8073	8	BD 8762	28	BD 9118	13
BD 8088	10	BD 8763	28	BD 9209	31
BD 8091	3	BD 8766	28	BD 9214	31
BD 8093	11	BD 8830	12	BD 9216	31
BD 8094	9	BD 8833	12	BD 9223	31
BD 8095	2	BD 8838	13	BD 9335	30,32
BD 8099	21	BD 8903	12		
BD 8624	18	BD 8905	12		
BD 8625	18	BD 8908	14		
BD 8626	17	BD 8916	16		
BD 8628	19	BD 8919	13		
BD 8640	17	BD 8920	13	BA 0053	21
BD 8641	18	BD 8923	13	BA 0315	30,32
BD 8642	18	BD 8928	16	BA 0317	30,32
BD 8643	19	BD 8929	16	BA 6320	21
BD 8644	18	BD 8933	14	BA 6326	21
BD 8650	28	BD 8936	14	BA 10048	21
BD 8651	28	BA 8943	16	BA 10049	21
BD 8730	28	BD 8944	14		
BD 8738	28	BD 8948	16		
BD 8739	28	BD 8949	16		
BD 8741	28	BD 8951	16		
BD 8742	28	BD 8970	12		
BD 8743	28	BD 8987	24	BB 0054	21
BD 8744	28	BD 9001	14,15	BB 0055	21
BD 8745	28	BD 9002	13	BB 0056	21
BD 8746	28	BD 9008	16	BB 0319	30
BD 8747	28	BD 9013	13	BB 0320	30
BD 8748	28	BD 9017	13	BB 0321	30
BD 8749	28	BD 9018	13	BB 0322	30
BD 8750	28	BD 9021	16	BB 6321	21
BD 8751	28	BD 9107	14	BB 6322	21
BD 8756	28	BD 9109	16	BB 6328	21



PART NUMBER	PAGE	PART NUMBER	PAGE	PART NUMBER	PAGE
CM 18 3A	18,29	CM 186	19	CM 343	17
CM 20 3A	17	CM 187	19	CM 344	19
		CM 194	18,29	CM 345	17
		CM 195	18,29	CM 346	21
		CM 196	18,29	CM 1301	19
		CM 197	18,29	CM 1302	17
		CM 198	18,29		
CM 130	17	CM 199	29		
CM 133	17	CM 200	29		
CM 143	18	CM 315	17	FA 3318	29,32
CM 144	18	CM 316	17		
CM 147	18	CM 317	17		
CM 149	17	CM 319	18		
CM 150	18	CM 321	18		
CM 151	18	CM 322	19		
CM 152	18	CM 323	19		
CM 156	18	CM 324	19		
CM 157	18	CM 325	17	ZL 1903	17,18,29
CM 160	18	CM 326	17		
CM 161	18	CM 327	17		
CM 163	18	CM 328	17		
CM 164	18	CM 329	17		
CM 172	19	CM 330	17		
CM 173	19	CM 331	17	JA 6543	22
CM 174	19	CM 332	18		
CM 175	19	CM 333	18		
CM 176	19	CM 334	18		
CM 177	19	CM 335	17		
CM 178	19	CM 336	18		
CM 179	19	CM 337	17	MC 8004	14
CM 180	19	CM 338	18	MC 8267	14
CM 181	19	CM 339	19	MC 9270	12,16
CM 182	19	CM 340	19	MC 9271	13
CM 183	19	CM 341	17		
CM 184	17	CM 342	17		
CM 185	19				

PART NUMBER	PAGE	PART NUMBER	PAGE	PART NUMBER	PAGE
MS 4174	18	SM 74	25	WB 0034	21
MS 4175	18	SM 75	26	WB 0067	21
MS 4176	19	SM 117	27		
MS 4355	18	SM 164	26		
		SM 172	26		
		SM 174	27		
		SM 175	27		
		SM 176	27	MT1/3444	17,29
		SM 177	26	MT1/37556H	22
CS 331 GA	23	SM 178	26		
		SM 179	26		
		SM 180	26		
		SM 181	25		
		SM 182	26		
		SM 183	26	MT2/9649	30
CS 8 A	20	SM 184	27	MT2/14795	30
CS 2430 A	20	SM 185	27	MT2/16484	28
		SM 186	26	MT2/49946	17
		SM 187	27		
		SM 201	25		
		SM 202	25		
		SM 203	25		
CS 639	20	SM 204	25		
CS 640	20	SM 205	25		
CS 641	20	SM 290	27		
CS 642	20	SM 292	27		
CS 643	20				
CS 23111	20				
		YS 0013	21		
		YS 0068	25		
SM 3 A	23				



**RESTRICTED**