

# PATENT SPECIFICATION



173,885

Application Date: Oct. 11, 1920. No. 28,784 / 20.

Complete Left: July 4, 1921.

Complete Accepted: Jan. 11, 1922.

## PROVISIONAL SPECIFICATION.

### Improvements in or relating to Machine Guns.

We, Sir ARTHUR TREVOR DAWSON, Bart., a Commander retired in His Majesty's Royal Navy and Superintendent of Ordnance Works, Sir GEORGE THOMAS BUCKHAM, Knight, and CARL ALFRED LARSSON, all of Vickers Limited, Vickers House, Broadway, Westminster, in the County of London, all subjects of the King of Great Britain, do hereby declare the nature of this invention to be as follows:—

This invention relates to machine guns, particularly those of the Vickers automatic type.

The present invention consists of a machine gun in which there are combined and used together the various devices and mechanisms set forth in the Specifications of the earlier Patent Applications Nos. 165,857, 165,858, 141,605 and 172,068 and our Patent Application No. 173,883 filed concurrently herewith; the essential features comprise the device for

retaining the firing spring and the side lever axis pin of the lock in their assembled position as described in the first of the said specifications, the stop-piece for the crank and the resilient bush between the crank-handle roller and the spindle or spigot of this roller as described in the second of the said specifications, the sear and tumbler arrangement described in the third of the said specifications, the longitudinally pivoted cover for the mechanism casing described in the fourth of the said specifications, together with the adjustable crank-retaining device described in the aforesaid concurrent specification.

Dated this 11th day of October, 1920.

HASELTINE, LAKE & Co.,  
28, Southampton Buildings, London,  
England, and  
55, Liberty Street, New York, N.Y.,  
U.S.A.,  
Agents for the Applicants.

## COMPLETE SPECIFICATION.

### Improvements in or relating to Machine Guns.

We, Sir ARTHUR TREVOR DAWSON, Bart., a Commander retired in His Majesty's Royal Navy and Superintendent of Ordnance Works, Sir GEORGE THOMAS BUCKHAM, Knight, and CARL ALFRED LARSSON, all of Vickers Limited, Vickers House, Broadway, Westminster, in the County of London, all subjects of the King of Great Britain, do hereby declare the nature of this invention and in what manner the same is to be per-

[Price 1/-]

formed, to be particularly described and ascertained in and by the following statement:—

This invention relates to machine guns, particularly those of the Vickers automatic type.

The present invention consists of a machine gun in which there are combined and used together the various devices and mechanisms set forth in the Specifications of the earlier Patent Applications

Nos. 165,857, 165,858, 141,605 and 172,068 and our Patent Application No. 173,883 filed concurrently herewith; the essential features comprise the device for retaining the firing spring and the side lever axis pin of the lock in their assembled position as described in the first of the said specifications, the stop-piece for the crank as described in the second of the said specifications, the sear and tumbler arrangement described in the third of the said specifications, the longitudinally pivoted cover for the mechanism casing described in the fourth of the said specifications, together with the adjustable crank-retaining device described in the aforesaid concurrent specification.

In order that the said invention may be clearly understood and readily carried into effect, the same will now be described more fully with reference to the accompanying drawings, in which:—

Figure 1 is a side elevation of the mechanism casing of a gun provided with our improvements.

Figure 2 is a longitudinal vertical section of Figure 1, and

Figure 3 is a plan of Figure 1.

A is the mechanism casing, B its rear hinged cover, C the lock, D the crank, D<sup>1</sup> the crank handle, E the fuze, and F the fuze spring.

The rear hinged cover B is pivoted at *b, b* (Figure 3) to the left hand side plate of the mechanism casing cover and is held in the closed position by a catch B<sup>1</sup> as is described in the Specification of the aforesaid Patent Application No. 172,068.

C<sup>1</sup> is the firing spring and C<sup>2</sup> the side lever axis pin which are retained in their assembled position on the lock by a device C<sup>3</sup> as described in the Specification of the aforesaid Patent Application No. 165,857.

C<sup>4</sup> is the tumbler appertaining to the firing pin and C<sup>5</sup>, C<sup>6</sup> are the two parts of

the sear, the arrangement of the said tumbler and the said parts of the sear being similar to that described in the Specification of the aforesaid Patent Application No. 141,605.

D<sup>2</sup> is the aforesaid stop-piece against which part of the crank D strikes at the end of the movement of the latter during recoil of the gun as described in the Specification of our aforesaid Patent Application No. 165,858. A barrel-returning spring in addition to the fuze spring is provided and the crank handle D<sup>1</sup> is so formed as not to come into contact with its roller D<sup>x</sup> during the completion of the rearward movement of this handle as is described in the last mentioned specification; also a bush of fibre or other resilient material is interposed between the roller D<sup>x</sup> and its spindle or spigot.

The fuze spring F is of the compression type disposed in a case F<sup>1</sup> carried by the mechanism casing.

G is the adjustable crank retaining device which serves to delay the return to the firing position of the crank D and lock C as described in the Specification of the aforesaid Patent Application No. 173,883.

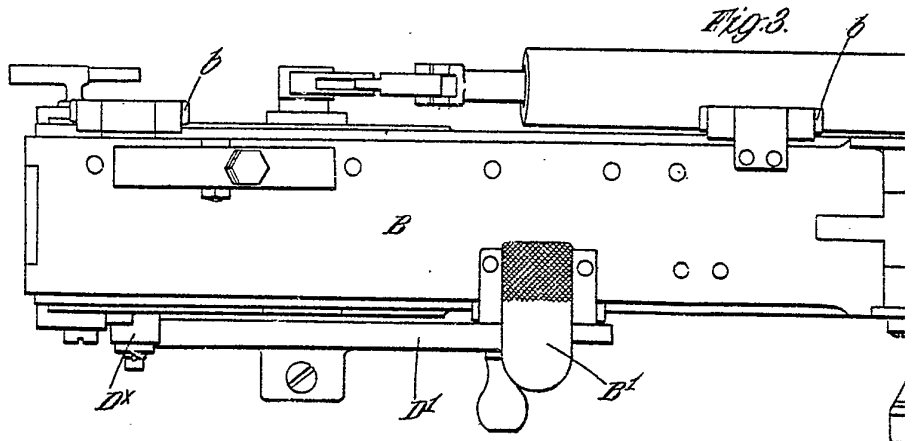
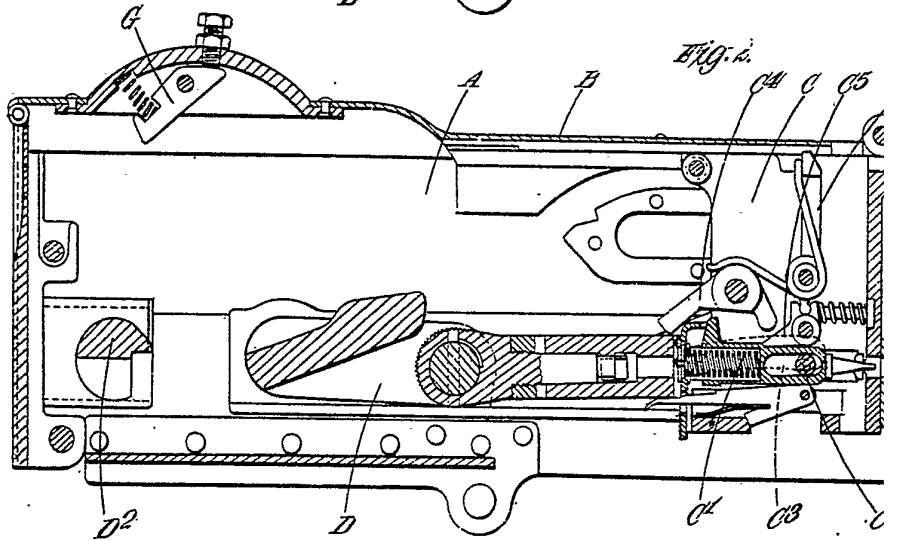
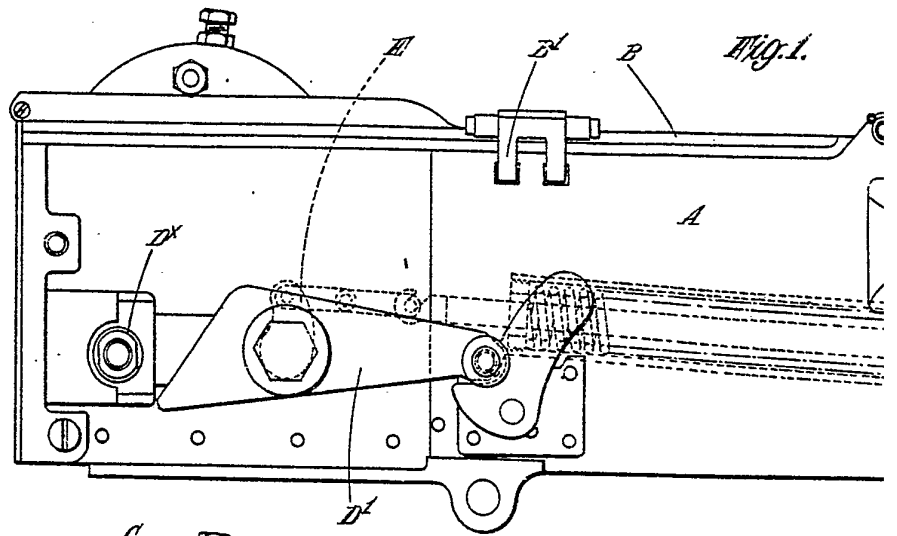
Having now particularly described and ascertained the nature of our said invention, and in what manner the same is to be performed, we declare that what we claim is:—

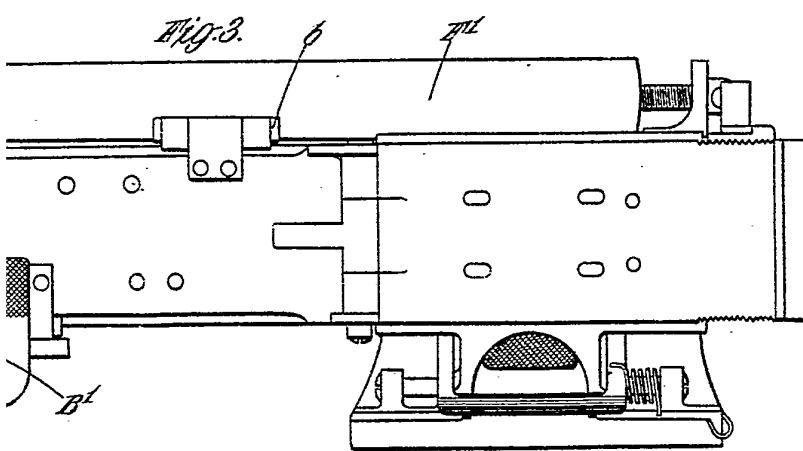
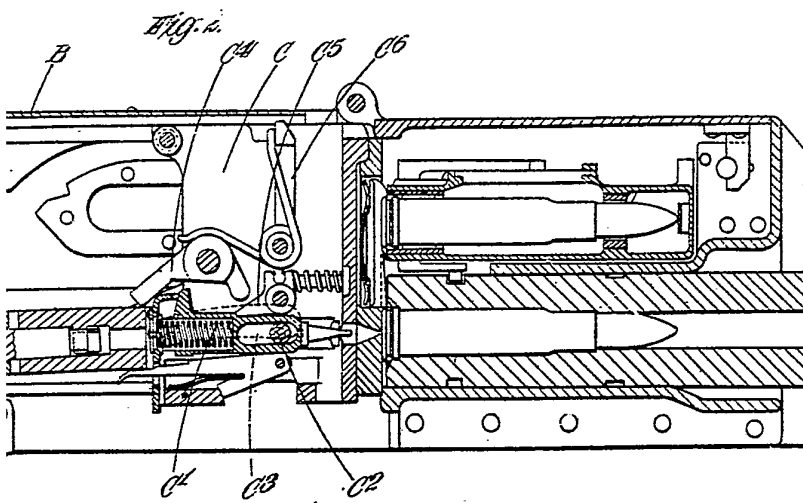
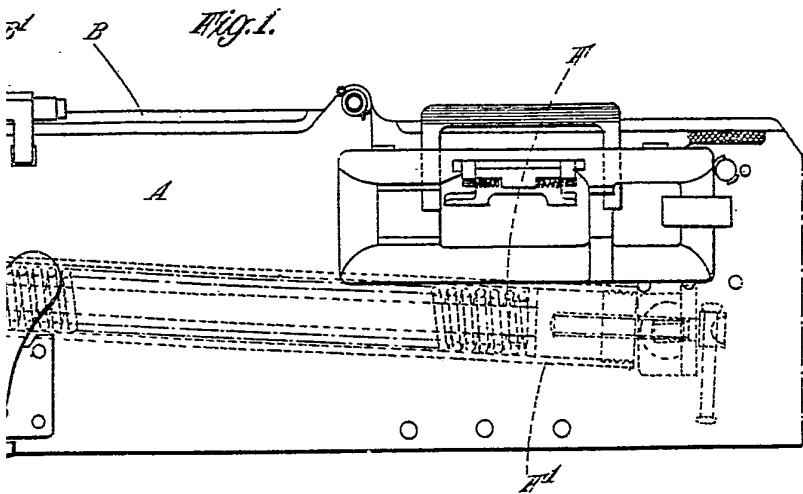
A machine gun embodying the combination of devices and mechanisms substantially as hereinbefore described with reference to the accompanying drawings.

Dated this 4th day of July, 1921.

HASELTINE, LAKE & Co.,  
28, Southampton Buildings, London,  
England, and  
Park Row Building, 15, Park Row,  
New York, N.Y., U.S.A.,  
Agents for the Applicants.

[This Drawing is a reproduction of the Original on a reduced scale]





[This Drawing is a reproduction of the Original on a reduced scale]

